

# TEMPERATURE CONTROLLER TC-49P



## TECH SPECS

<b>Model</b>	TC-49P
<b>Dimension (HxWxD) mm</b>	48 x 48 x 70
<b>Panel Cutout</b>	45 x 45
<b>Input</b>	J/K or PT-100 2W/3W (Factory Set)
<b>Range</b>	J: 600° C, K: 999° C PT-100 : -50° C to 200° C
<b>Output</b>	1 Relay 1 C/O, 5A, 230V AC (Resistive Load) & SSR Drive O/P 12V DC, 20mA (Parallel to Relay)
<b>Control Action</b>	PID / ON-OFF ( Configurable )
<b>Power Supply</b>	100-270V AC, 50/60 HZ

## APPLICATIONS

Packaging Machinery

Extrusion Machinery

Furnace & Boilers

Ovens & Incubators

Food Industry

# Technical Specifications

Input	
Input Type	Thermocouple : ( J, K ) or PT-100
Display Range	Refer ( Table 1 )
Accuracy	± 1% of FSD
ADC Resolution	10 Bits
Display Resolution	Thermocouple : 1 °C RTD : 1 °C
Sample Rate	6 Sample / Sec
CJC Error	± 2 °C
Sensor Open	All Input
Sensor Burnout Current	1.10uA
RTD Excitation Current	0.2mA
CMRR	>120 db ( Typical )
Input Impedance	>1M
Max Voltage	20V DC

Output	
Control Output	
Control Type	On-Off, PID
Proportional Band	000 to 99.9
Integral Time	000 to 999
Derivative Time	000 to 999
Cycl Time For SSR For Relay	1 sec to 99 sec 4 sec to 99 sec
Relay Control Output	
Relay	1 Nos.
Rating	5A @230V AC / 28V DC Resistive Load
SSR Control Output	
Rating	12V DC @30mA

Physical	
	TC-49P
Enclosure	Molded PC
Color	Black
Front Bezel ( mm )	48 x 48
Panel cutout ( mm )	45 x 45
Depth behind panel	70 mm
Accessories	1 pair of Mounting clamp
Terminal Cable Size	Barrier Type terminal Cable Size ( 2.5 mm <sup>2</sup> )

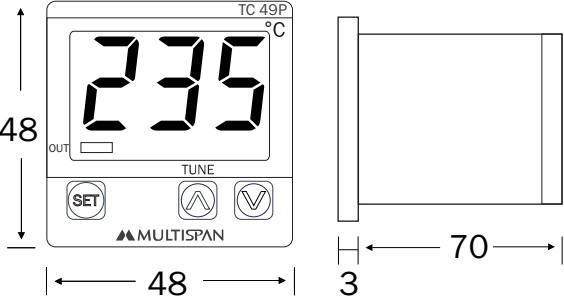
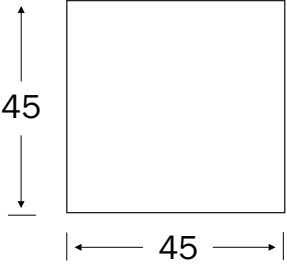
Display	
Process Value	3 Digit 7 seg 0.8", RED LED Display
Keys	SET, UP, DOWN
LED Indication	OUT

Environmental	
Operating Temperature	0 to 55 °C
Storage Temperature	0 to 70 °C
Humidity	95% RH Non-condensing
Protection	IP 54 ( Front Side )

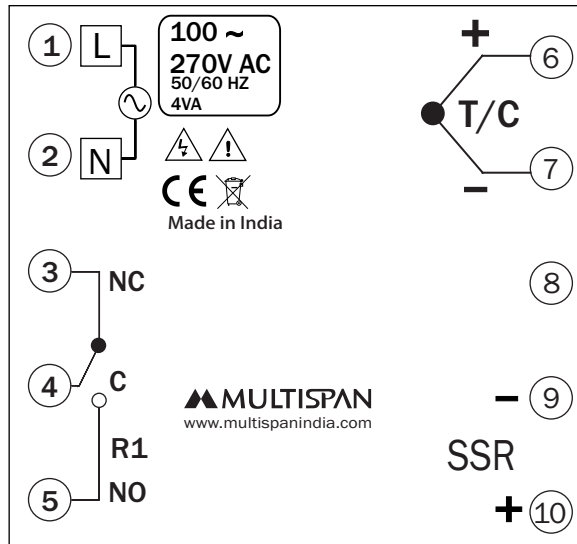
Power Supply	
Standard	100 - 270V AC @ 50/60 Hz
Optional	24V DC
Consumption	4VA

Table 1 ( Sensor Range )	
J	0 to 600 °C
K	0 to 999 °C
PT-100	-50 to 200 °C

## Mechanical Dimension

Outline Dimension (mm)	Panel Cutout Dimension (mm)
 <p>48</p> <p>48</p> <p>3</p> <p>70</p>	 <p>45</p> <p>45</p>

## Connection Diagram



Multispan reserves the right to change specifications without prior notice. Printing and typographical errors reserved.  
Product improvement and upgrade is a constant procedure. So for more updated operating information & support contact us.

### Multispan Control Instruments Pvt. Ltd.

72/B, Phase 1, GIDC Estate, Vatva, Ahmedabad-382445, Gujarat, India.

+91-7575805463/7623001206

support@multispanindia.com

Follow us



www.multispanindia.com