



SWITCH MODE POWER SUPPLY

PS12-1A

APPLICATIONS

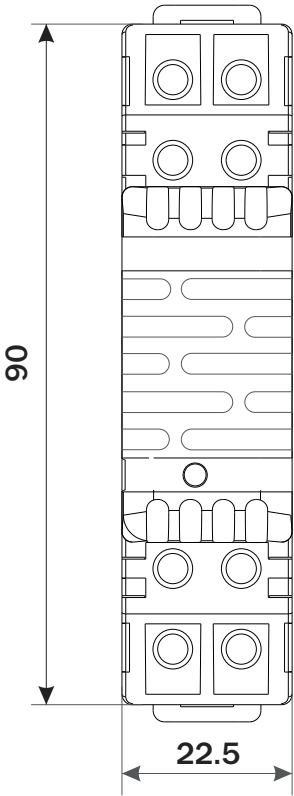
Robotics

Automation Panel

Elevators

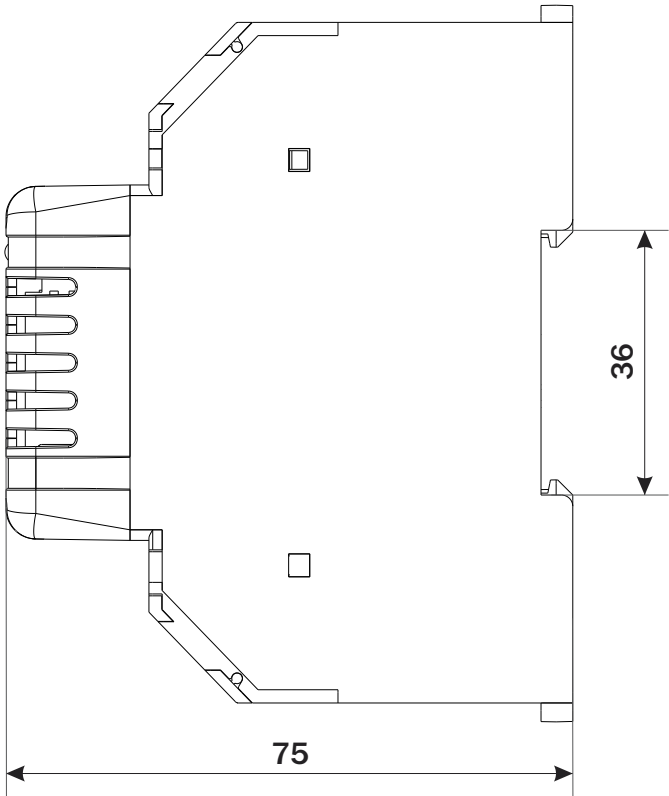
Special Purpose Machine

Mechanical Dimensions



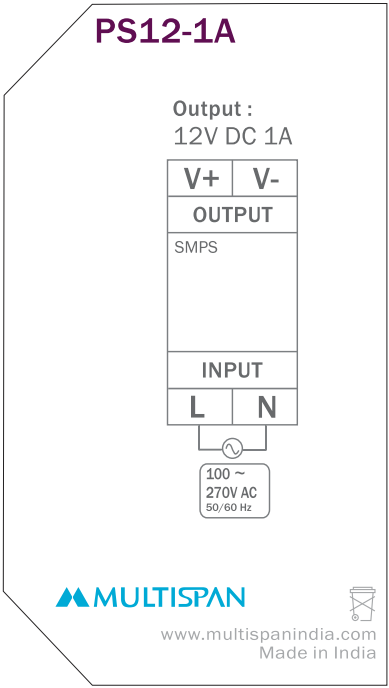
FRONT VIEW

All dimensions are in mm



RIGHT SIDE VIEW

Connection Diagram



Features

- 12W rated power
- Compact Size
- LED Indicate For Power ON
- Din Rail Mount

Protection Available

- ▶ Overload, Output short circuit, Over Temperature

Input Specification

| | |
|-------------------|--|
| Supply Voltage | 100 to 270V AC±10%,(L-N) |
| Frequency Range | 50/60 Hz |
| AC Current (TYP.) | 0.450A@100V AC 0.24A@270V AC |
| Efficiency (TYP.) | >85%@230VAC |
| Start UP time | <1 sec@230VAC & <3 sec@100VAC (Full Load) |

Output Specification

| | |
|-----------------|--|
| Output Voltage | 12V DC |
| Output Current | 1A at 12V |
| Ripple & noise | <1% of V out |
| Line Regulation | ±1% |
| Load Regulation | ±1% |
| Hold UP Time | <60ms at 230VAC & >15ms at 100VAC (Full Load) |

LED Indication

| | |
|-------|----------|
| LED 1 | Power On |
|-------|----------|

Protection

| | |
|----------------------------------|---|
| Input Fused | 2A -250V AC Internal |
| Output Over Load | 110% of rated Output Current protection Protection Type :Hiccup mode;recover automatically after fault condition is removed |
| Output Short Circuit | Hiccup mode when output is shorted; Recovers automatically after fault condition is removed. |
| Over Temperature | Power supply shuts down when the temperature goes above specified limit; Turns on automatically after temperature goes back to Normal operating conditions. |
| Isolation between Input & Output | 2.5KV |

Environmental

| | |
|---------------------|--|
| Working Temperature | -25 °C to 50 °C * De-rate output power at 3w/°C above +50 °C Ambient |
| Storage Temperature | -40 °C to 85 °C |
| Relative Humidity | 95% RH Non-condensing |

Mechanical Characteristics

| | |
|---------------------------|----------------------------------|
| Dimension (H) x (W) x (D) | DIN Rail Mount : 90 x 22.5 x 75 |
| Material | Polycarbonate (PC) |
| Screw | M3.5 |
| Torque (Max) | 1 N-m |
| Wire Gauge | 26 - 14 AWG |
| Weight (Approx) | Unpacked : 110g Packed : 130g |