

4" Jumbo Display

4" Digit Height



- Available in Single Side/Double Side Display
- Available with White & Black Encloser

### FEATURES

- 4" bright 4 digit 7 segment display
- Universal Analog Input (mA : 4-20mA DC , 0-20mA DC) (V : 0 - 10V DC)
- Compact design
- Accuracy  $\pm 1\%$  Of FSD

### APPLICATION

- Monitoring of process parameters with digital display Pressure/Level/Flow
- Measurement of process parameter of PH,O<sub>2</sub> (Oxygen),CO (Carbon Monoxide), PH,etc.
- Measurement of RPM from VFD Use of analog signal.
- Remote Process Supervision

### Technical Specification

#### INPUT SPECIFICATION:

Input Types	Input	Range
	0-10V DC	-999 to 9999
0-20mA DC	-999 to 9999	
4-20mA DC	-999 to 9999	
Resolution	0-10V DC,0-20mA DC,4-20mA DC = 0.1,0.01,0.001,0001	
Indication Accuracy	$\pm 1\%$ of FSD (FSD:- full scale deflection)	

#### DISPLAY :

Display	4", 4 digit, 7 segment Red display
---------	------------------------------------

#### DIMENSION:

Size	Single Side	162 (H) x 377 (W) x 49 (D) mm
	Dual Side	162 (H) x 377 (W) x 72 (D) mm

#### AUXILIARY SUPPLY

Supply voltage	100 to 270V AC, 50-60Hz
Power Consumption	4 VA (Single side) 7 VA (Dual Side)

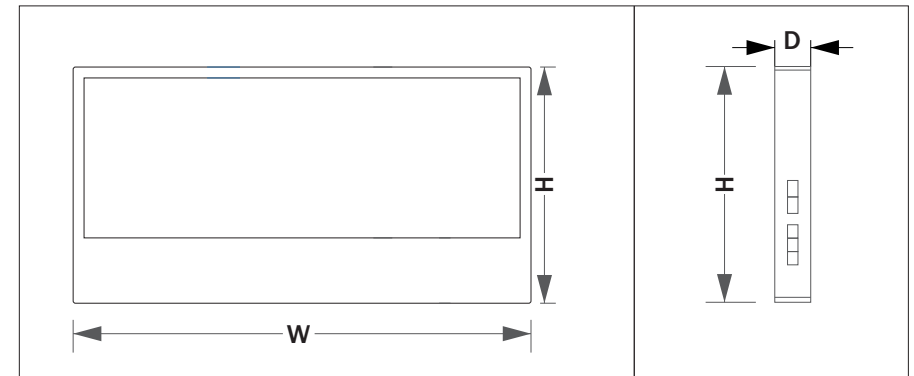
#### ENVIRONMENT CONDITION

Operating Temp.	0°C to 55°C
Relative Humidity	UP to 95% RH (non-condensing)
Protection Level	IP-65 (Front side) As per IS/IEC 60529 : 2001

### Mechanical Dimension

Front View

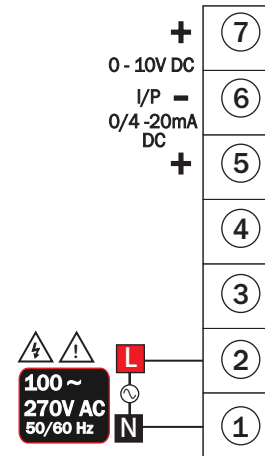
Side View



Mounting Method : Wall Mounting

Single side	162mm (H)	377mm (W)	49mm (D)
Dual side	162mm (H)	377mm (W)	72mm (D)

### Terminal Connection

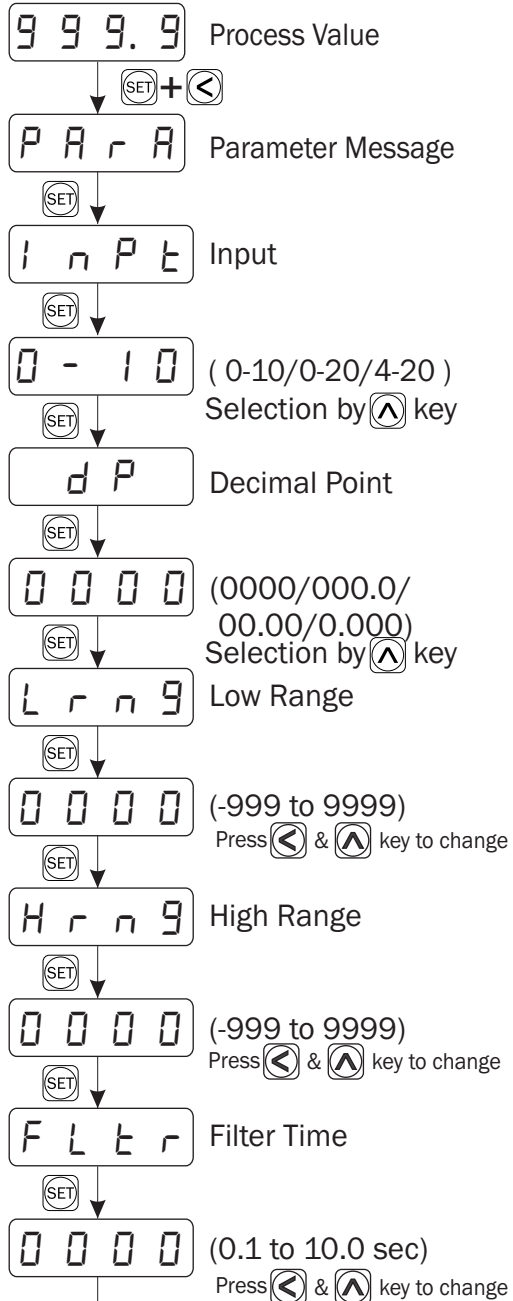


NOTE:- 4 VA (In Single Side)  
7 VA (In Dual Side)

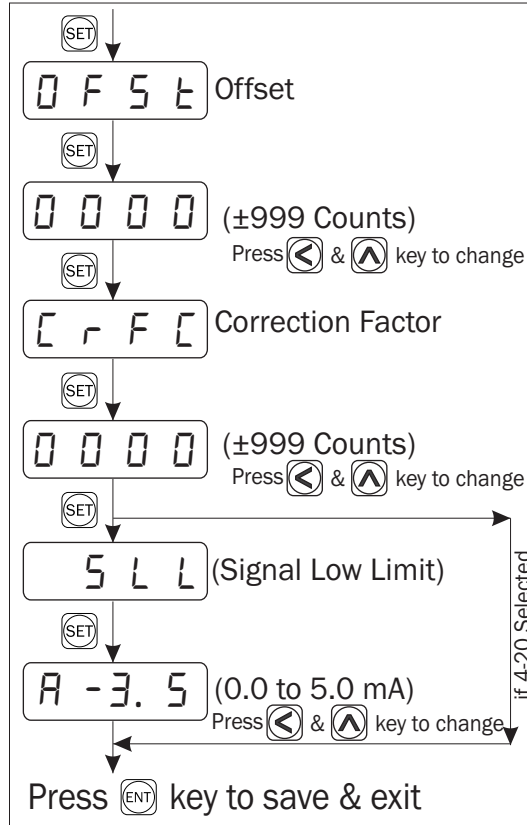
### Key Operation

FUNCTION	PRESS KEY
<b>OPERATOR MODE</b>	
To enter in parameter setting	SET + <
<b>PARAMETER SETTING MODE</b>	
To Conform Changes And go to Next Step	SET
To increment parameter value.	^
To Select digit which value want to edit	<
Set parameter to be save & exit.	ENT

## Parameter Setting



To be continued



## Safety Precautions

- 1) All safety related codifications, symbols and Instructions that appear in this operating manual or on the equipment must be strictly followed to ensure the safety of the operating personnel as well as the instrument.
- 2) If all the equipment is not handled in a manner specified by the manufacturer, it might impair the protection provided by the equipment.
- 3) Read complete instructions prior to installation and operation of the unit.



Risk of electric shock,



Hazard Warning

## Test Certificate

**Product :** PROCESS INDICATOR  
**Model No.:** PIC-6004A  
**Input:** 0 to 10V DC, 0 to 20mA DC, 4 to 20mA DC (Selectable)  
**Range :** -999 to 9999 (Selectable)  
**Supply: Single :-** 100 to 270V AC, 50/60 Hz Approx 4VA  
**Dual :-** 100 to 270V AC, 50/60 Hz Approx 7VA  
**Accuracy :** ± 1 % Of FSD  
**Calibrator Used :** Process Calibrator  
**Calibrator Sr. No. :** P-CAL 1



*Devan Singh*

Q.A. Engineer

## WARRANTY

Multispans warrants that the product supplied here under this Test Certificate is guaranteed against our design, our manufacturing and our workmanship defects for a time period of 12 Months from the date of product dispatch from our premises. Multispans undertakes the responsibility to replace/repair the faulty product at our company premises free of cost. The manufacturing liability is limited to the value of goods supplied. Hereby, the manufacturer will take no responsibilities for whatsoever any consequential damages claimed by the customer whatsoever. This warranty certificate is required to be produced for obtaining any repair or replacement service from the Manufacturer. The Manufacturer reserve right to determine the reason for Defect/Damage, before providing service.

## Maintenance

- 1) The equipment should be cleaned regularly to avoid blockage of ventilating parts.
- 2) Clean the equipment with a clean soft cloth.
- 3) Do not use isopropyl alcohol or any other cleaning agent.
- 4) Fusible resistor must not be replaced by operator.

## Warning Guidelines

- 1) To prevent the risk of electric shock power supply to the equipment must be kept OFF while doing the wiring arrangement.
- 2) Do not touch the terminals while power is being supplied. To reduce electromagnetic interference, use wire with adequate rating and twists of the same of equal size shall be made with shortest connection.
- 3) A better anti-noise effect can be expected by using standard power supply cable for the instrument.

## Installation Guidelines

- 1) Do not allow pieces of metal, wire clippings, or fine metallic fillings from installation to enter the product or else it may lead to a safety hazard that may in turn endanger life or cause electrical shock to the operator.
- 2) Use and store the instrument within the specified ambient temperature and humidity ranges as mentioned in this manual.
- 3) Prior to the installation of this product, the installation instructions must be read and completely understood. Keep these installation instructions in an easily accessible location for future reference. Proper installation procedure by a qualified service technician must be followed, as outlined in these installation instructions. Failure to do so could result in property damage, serious personal injury, or even death.
- 4) Safety measures must be practiced at all times during the assembly of this product.
- 5) Use proper safety equipment and tools for the assembly procedure to prevent personal injury Be aware of the mounting environment.
- 6) If drilling and/or cutting into the mounting surface, always make sure that there are no electrical wires in wall.
- 7) Cutting or drilling into an electrical line may cause serious personal injury.
- 8) Make sure there are no water or natural gas lines inside the wall where the mount is to be located.
- 9) Cutting or drilling into a water or gas line may cause severe property damage or personal injury.
- 10) Do not install near sources of high heat. Do not install on a structure that is prone to vibration, movement or chance of impact.

Specifications are subject to change, since development is a continuous process. So for more updated operating information and Support, Please contact our Helpline: 9081078683/9081078681 or Email at [service@multispansindia.com](mailto:service@multispansindia.com) Ver:202107