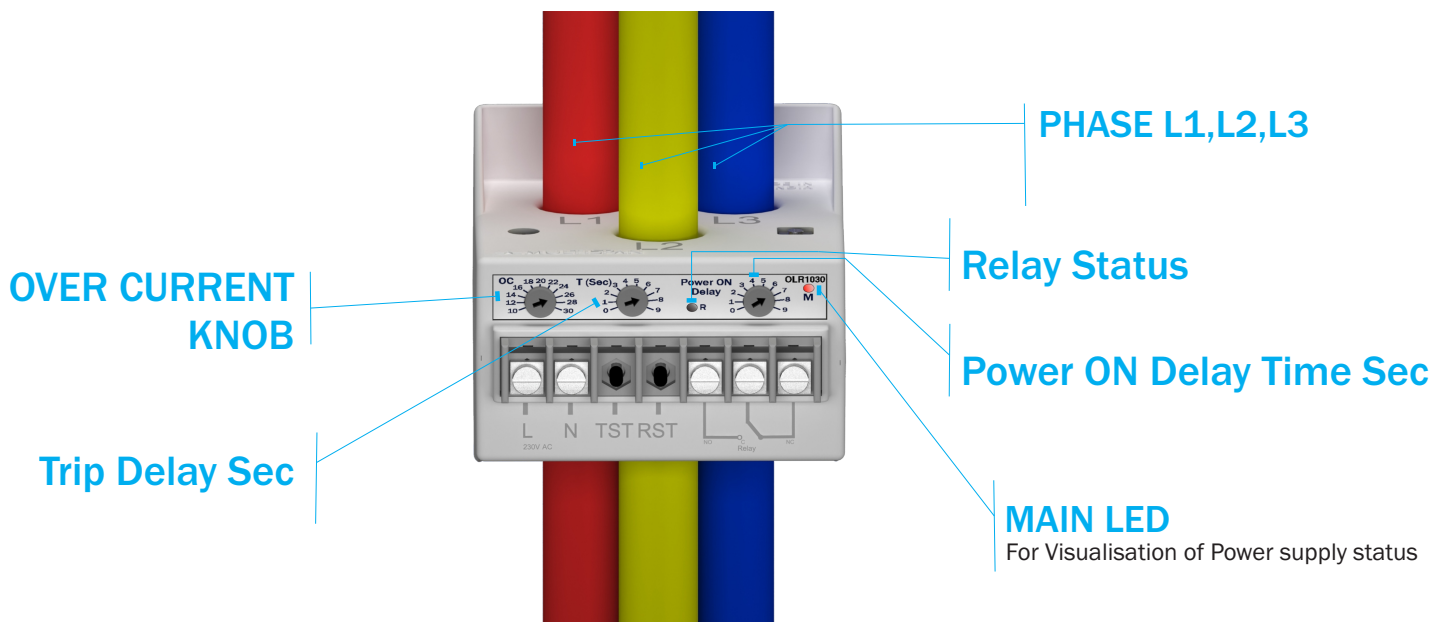


OLR	Over Current Relay
Model	OLR 10 to 30 Amp



	Power Supply : 230V AC,50Hz
	Input Current : 10 to 30A AC Rated Current : 30A
	Output: 1 Relay NO/C/NC ,5A 230V AC,30V DC Resistive load
	Tripping Parameters : Over Current, SPP Delay Time : Power ON Delay 0 To 9 Sec Setable Initial Time Delay 5 Sec Reset Mode Manually Trip Time : Trip Time Delay 0 To 9 Sec Setable
	Keys : Test, Reset

KEY OPERATION

FUNCTION	KEY PRESS
OPERATION MODE	
To Enter in Test Mode	For 5 sec
To Reset the Relay Contact Manually After Tripping	For 1 sec

NOTE :

To Configure fault type 'NO' or 'NC'

- 1) Press reset key then power on instrument , Reset key pressed continuously up to 5 Second.
- 2) If front relay indication is ' ON 'Means relay is 'NC' in healthy condition.
- 3) One can change by pressing 'TEST' key , If front relay indication is 'OFF' means relay is 'NO' in healthy condition.

Terminal Connection



Power Supply :

230V AC

Input Current:

10 to 30A AC

Output :

1 Relay C/NO/NC ,
5A, 230V AC (Res.)

Delay Time :

Power ON Delay: Set
Initial Time Delay: 5 Sec
Reset Mode: Manually
Trip Delay: 0 to 9 Sec

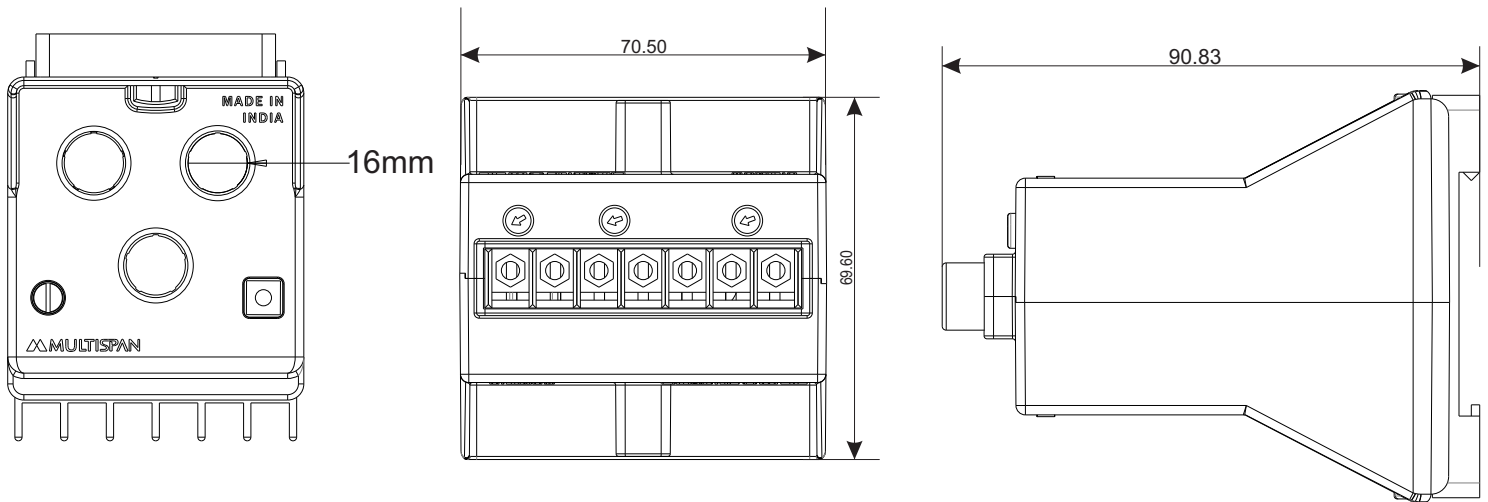
LED Indication:

M: Main Supply
R: Relay Status

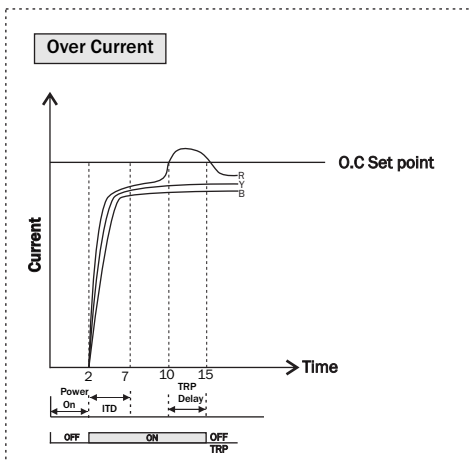
Function :

Over Current
SPP

Dimension



Control Function



Multispan reserves the right to change specifications without prior notice. Printing and typographical errors reserved. Product improvement and upgrade is a constant procedure.

Multispan Control Instruments Pvt. Ltd.

72/B, Phase 1, GIDC Estate, Vatva, Ahmedabad-382445, Gujarat, India.

+91-9978991474/9978991476/9978991482

Service@multispanindia.com

Follow us



www.multispanindia.com