



# DIGITAL TIMER MDT- 1310F,2312F

## TECH SPECS

<b>Model</b>	MDT-1310F	MDT-2312F
Dimension (HxWxD) mm	96 x 96 x 52	72 x 72 x 45
<b>Panel Cutout (mm)</b>	92 x 92	68 x 68
<b>Input</b>	Micro Switch	
<b>Time Range</b>	9.99/ 99.9/ 999	
Sec	9.99/ 99.9/ 999	
Min	9.99/ 99.9/ 999	
Hour	9.99/ 99.9/ 999	
<b>Output</b>	1 Relay 2 C/O, 5A, 230V AC For Resistive Load	
<b>Operating Mode</b>	Delay ON/ Delay OFF	
<b>Power Supply</b>	230V AC, ±10%,50Hz	

## APPLICATIONS

Packaging Machinery

Printing Industries

Furnace & Boilers

Automation Panel

Food Industry

# Technical Specifications

Input	
Start Pulse	▶ Micro Switch
TimeRange	Sec 9.99/ 99.9/ 999
	Min 9.99/ 99.9/ 999
	Hour 9.99/ 99.9/ 999
Accuracy	± 1% of FSD

Output	
Relay Control Output	
Relay	1Relay, 2C/O
Rating	5A @230V AC / 28V DC Resistive Load

Operating Mode	
Operating Mode	Delay ON Delay OFF
Counting Direction	UP/ Down
Reset Option	Front Panel Reset Terminal Reset

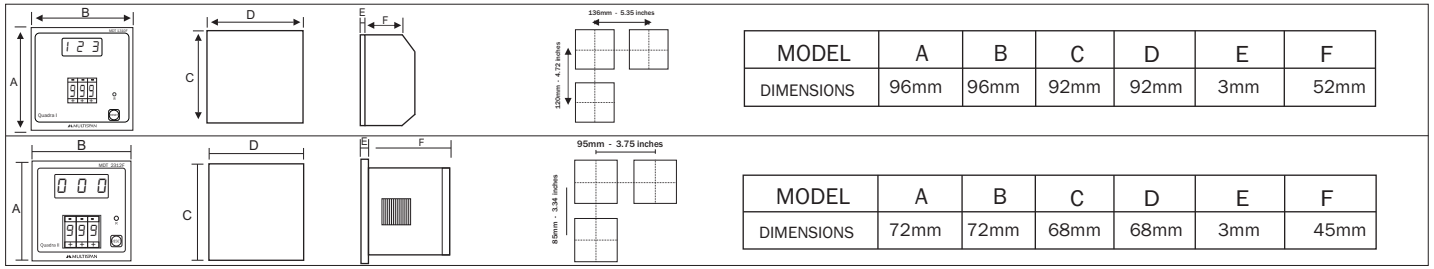
Display	
Process Value	UPPER:- 3 Digit 7 seg 0.56", RED LED Display
LED Indication	Relay

Power Supply	
Standard	230V AC, ±10%,50Hz
Optional	24V DC
Consumption	4VA

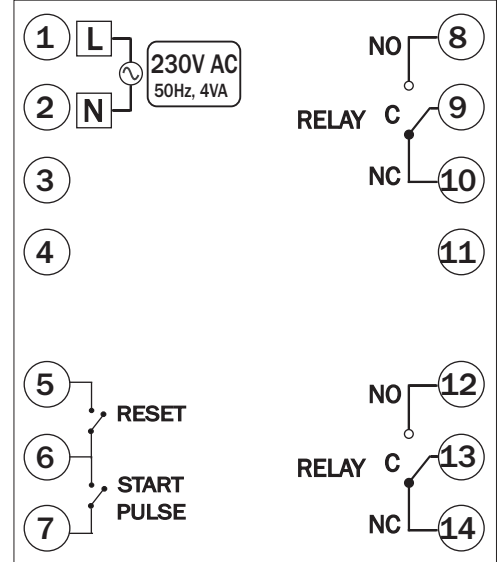
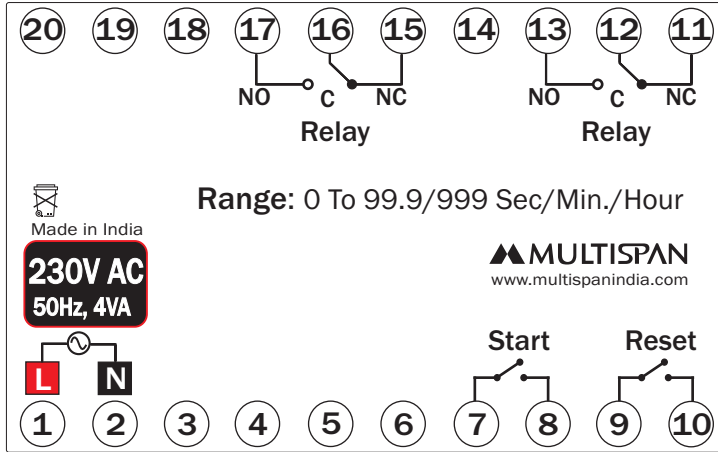
Physical		
	MDT-1310F	MDT-2312F
Color	Black	
Front Bezel ( mm )	96 x 96	72 x 72
Panel cutout ( mm )	92 x 92	68 x 68
Depth behind panel	52 mm	45 mm
Accessories	1 pair of Mounting clamp	
Terminal Cable Size	Barrier Type terminal Cable Size ( 2.5 mm <sup>2</sup> )	

Environmental	
Operating Temperature	0 to 55 °C
Storage Temperature	0 to 70 °C
Humidity	95% RH Non-condensing
Protection	IP 65 ( Front Side )

## Mechanical Dimension



## Connection Diagram



Multispan reserves the right to change specifications without prior notice. Printing and typographical errors reserved.  
Product improvement and upgrade is a constant procedure. So for more updated operating information & support contact us.

### Multispan Control Instruments Pvt. Ltd.

72/B, Phase 1, GIDC Estate, Vatva, Ahmedabad-382445, Gujarat, India.

+91-7575805463/7623001206

support@multispanindia.com

Follow us



www.multispanindia.com