

# DIGITAL TIMER DIN-63C



## TECH SPECS

<b>Model</b>	DIN-63C
<b>Dimension (HxWxD) mm</b>	76 x 28 x 85
<b>Panel Cutout (mm)</b>	DIN RAIL
<b>Time Range</b>	<b>Sec</b> 9.99/ 99.9/ 999
	<b>Min</b> 9.99/ 99.9/ 999
	<b>Hour</b> 9.99/ 99.9/ 999
<b>Output</b>	1 Relay 2 C/O, 5A, 230V AC For Resistive Load
<b>Operating Mode</b>	Cycle ON/ Cycle OFF
<b>Power Supply</b>	100 - 270V AC,50/60Hz
<b>Certification</b>	CE

## APPLICATIONS

Packaging Machinery

Printing Industries

Furnace & Boilers

Automation Panel

Food Industry

# Technical Specifications

Input		
TimeRange	Sec	9.99/ 99.9/ 999
	Min	9.99/ 99.9/ 999
	Hour	9.99/ 99.9/ 999
Accuracy	± 1% of FSD	

Output	
Relay Control Output	
Relay	1Relay, 2C/O
Rating	5A @230V AC / 28V DC Resistive Load

Operating Mode	
Operating Mode	Cycle ON Cycle OFF
Counting Direction	UP/ Down
Reset Option	Front Panel Reset Terminal Reset

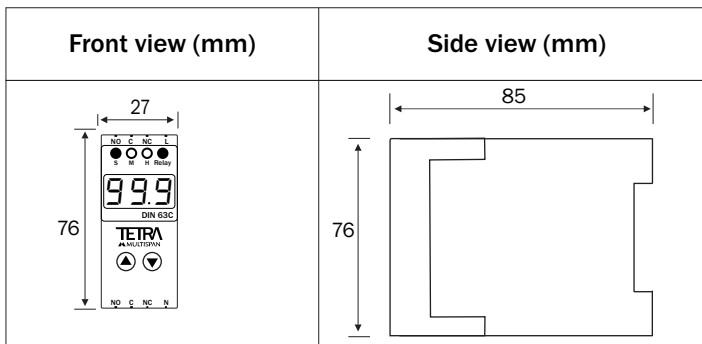
Display	
Process Value	UPPER:- 3 Digit 7 seg 0.36", RED LED Display
LED Indication	Relay

Power Supply	
Standard	100 to 270V AC,50/60Hz
Optional	24V DC
Consumption	4VA

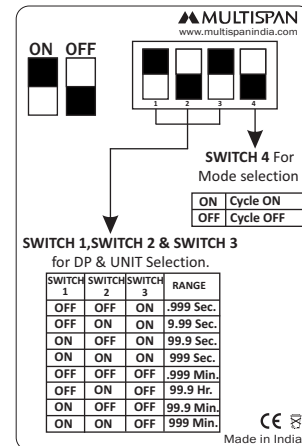
Physical	
	DIN-63C
Mount	Panel
Enclosure	ABS
Color	Black
Front Bezel ( mm )	76 x 28
Panel cutout ( mm )	Din Rail
Depth behind panel	85 mm
Terminal Cable Size	Barrier Type terminal Cable Size ( 2.5 mm <sup>2</sup> )

Environmental	
Operating Temperature	0 to 55 °C
Storage Temperature	0 to 70 °C
Humidity	95% RH Non-condensing
Protection	IP 65 ( Front Side )

## Mechanical Dimension



## Connection Diagram



Multispans reserves the right to change specifications without prior notice. Printing and typographical errors reserved.  
Product improvement and upgrade is a constant procedure. So for more updated operating information & support contact us.

## Multispans Control Instruments Pvt. Ltd.

72/B,Phase 1, GIDC Estate,Vatva,Ahmedabad-382445,Gujarat,India.

+91-7575805463/7623001206

support@multispansindia.com

Follow us



www.multispansindia.com