

DIGITAL TIMER DIN-63



TECH SPECS

Model	DIN-63
Dimension (HxWxD) mm	76 x 28 x 85
Panel Cutout (mm)	DIN RAIL
Time Range	Sec 9.99/ 99.9/ 999
	Min 9.99/ 99.9/ 999
	Hour 9.99/ 99.9/ 999
Output	1 Relay 2 C/O, 5A, 230V AC For Resistive Load
Operating Mode	Delay ON/ Delay OFF
Power Supply	100 - 270V AC,50/60Hz
Certification	CE

APPLICATIONS

Packaging Machinery

Printing Industries

Furnace & Boilers

Automation Panel

Food Industry

Technical Specifications

Input		
TimeRange	Sec	9.99/ 99.9/ 999
	Min	9.99/ 99.9/ 999
	Hour	9.99/ 99.9/ 999
Accuracy	± 1% of FSD	

Output	
Relay Control Output	
Relay	1Relay, 2C/O
Rating	5A @230V AC / 28V DC Resistive Load

Operating Mode	
Operating Mode	Delay ON
	Delay OFF
Counting Direction	UP/ Down
Reset Option	Front Panel Reset
	Terminal Reset

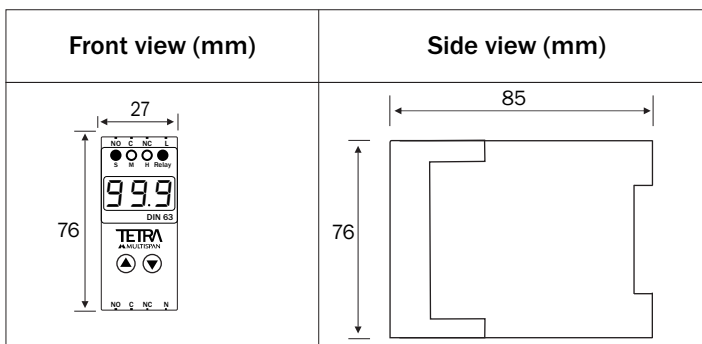
Display	
Process Value	UPPER:- 3 Digit 7 seg 0.36", RED LED Display
LED Indication	Relay

Power Supply	
Standard	100 to 270V AC,50/60Hz
Optional	24V DC
Consumption	4VA

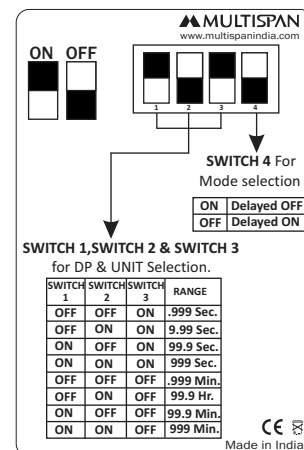
Physical	
Mount	DIN-63 Panel
Enclosure	ABS
Weight	150gm
Color	Black
Front Bezel (mm)	76 x 28
Panel cutout (mm)	Din Rail
Depth behind panel	85 mm
Terminal Cable Size	Barrier Type terminal Cable Size (2.5 mm ²)

Environmental	
Operating Temperature	0 to 55 °C
Storage Temperature	0 to 70 °C
Humidity	95% RH Non-condensing
Protection	IP 65 (Front Side)

Mechanical Dimension



Connection Diagram



Multispan reserves the right to change specifications without prior notice. Printing and typographical errors reserved. Product improvement and upgrade is a constant procedure. So for more updated operating information & support contact us.

Multispan Control Instruments Pvt. Ltd.

72/B,Phase 1, GIDC Estate,Vatva,Ahmedabad-382445,Gujarat,India.

+91-7575805463/7623001206

support@multispanindia.com

Follow us



www.multispanindia.com