

# CPR-35

## CURRENT PROTECTION RELAY



## TECH SPECS

Dimension (HxWxD) mm	90 x 35 x 61.5 mm	
Mounting	Din Rail Mounting	
Input Current	Primary	5 To 999 Amp AC (CT Selectable)
	Secondary	0.05 To 5 Amp AC (Direct)
Output	Relay 1 C/O 10A 250 V AC / 30V DC	
Accuracy	Class 1.0 (Standard)	
Power Supply	100 to 250 VAC (SMPS) , 50/60 Hz	

## APPLICATIONS

DG Set Panels

Motor Control Center Panels

Control Panels

Distribution Panels

Process Control

# Technical Specifications

## FEATURES

- Auto/Manual/ZVR (Zero Value Reset) Reset Option
- Power Fail Fault Memory
  - Time parameter : Power on delay
  - Trip delay
  - Initial time delay
  - Recovery time (Auto reset / ZVR)

### Protection Available

- Over Current
- Under Current
- Current Asymmetry
- Single Phase Prevention

## Input

Direct Current	Primary	5 To 999 Amp AC (CT Selectable)
	Secondary	0.05 To 5Amp AC (Direct)
Resolution	0.01A, 0.1A, 1A	

## Setting Parameter

### Trip Setting

Under Current	0.00 to 100% of Primary C.T Value
Over Current	0.00 - 120% of Primary C.T Value
Current Asymmetry	2-30 %

### Time Parameter

Power ON Delay Time	0 to 99 Seconds
Trip Delay Time	0 to 999 Seconds
Recovery Time	0 to 99 Seconds
Initial timedelay	0 to 99 Seconds

## Auxiliary Power Supply

Power Supply	100 to 250V AC, 50/60Hz
Burden	3VA @ 230V AC Max

## Display, LED & Keys

Display	0.4" Red LED, 3 digit 0.28" Red LED, 3 digit
Key	SET , Increment , Decrement
LED Indication	LINE-1 , LINE-2 , LINE-3, RELAY

## Output

Relay	Relay with 1 C/O.5A 230 V AC On Resistive Load
-------	---

## Accuracy

Class 1.0 ( Standard )

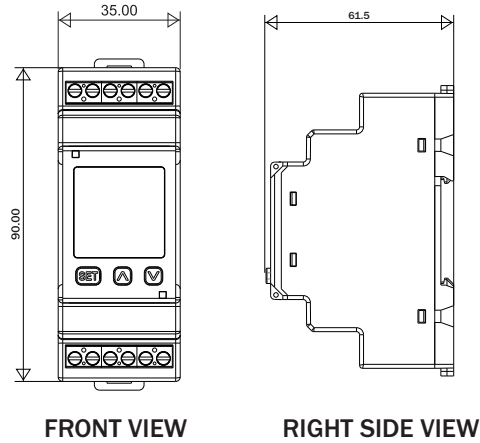
## Environmental

Operating Temperature	0 to 55 °C
Storage Temperature	0 to 70 °C
Humidity	95% RH Non-condensing

## Dimensions

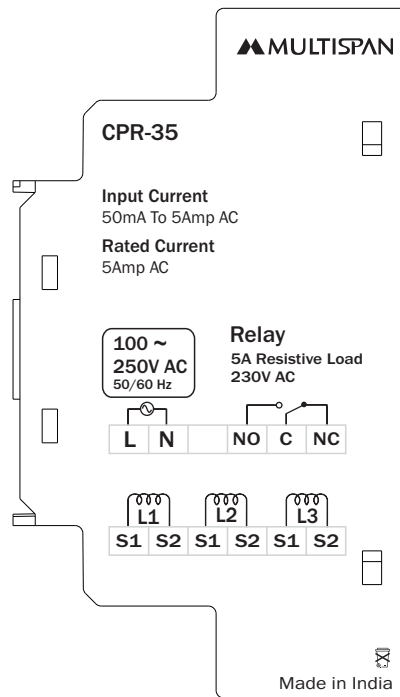
Mounting	Din Rail Mounting
Bezel (HXW)	90 x 35 mm
Depth of Installation	61.5 mm

## Mechanical Dimension



MODEL	A	B	C
DIMENSIONS	90 mm	35 mm	61.5 mm

## Connection Diagram



Multispan reserves the right to change specifications without prior notice. Printing and typographical errors reserved.  
Product improvement and upgrade is a constant procedure. So for more updated operating information & support contact us.

### Multispan Control Instruments Pvt. Ltd.

72/B, Phase 1, GIDC Estate, Vatva, Ahmedabad-382445, Gujarat, India.

+91-7575805463/7623001206

support@multispanindia.com

Follow us



www.multispanindia.com