

# Cabinet Filter & Fan

(พัดลมระบายอากาศตู้คอนโทรล)

## NMV/NMF Serise

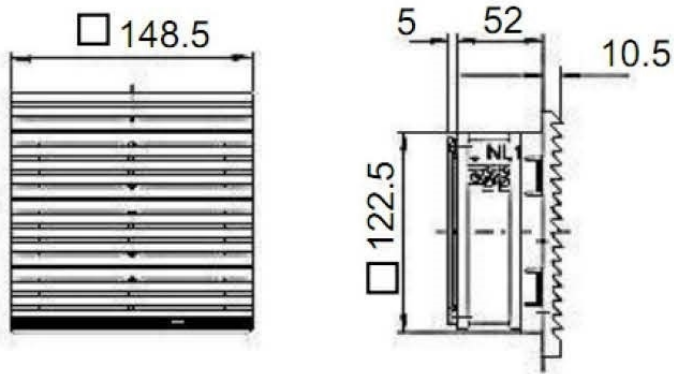


**NMF (Filter) = หน้ากากพร้อมแผ่นกรอง**

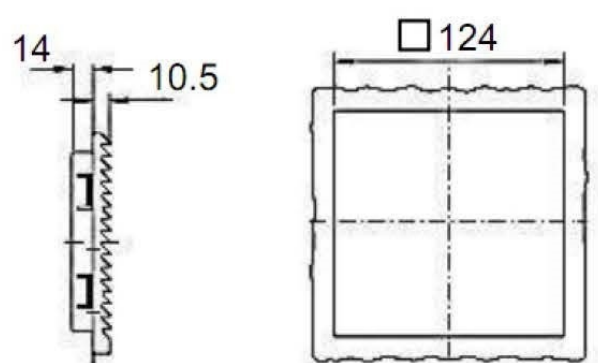
# Type NMV12 : 4" inch

Fan and filter Type:	<b>NMV12</b>	
Designed working voltage V/H	230/50/60	
Air flow, free blowing	105/120m <sup>3</sup> /h	
Flux of air equip filter exported Include filtering pad of standard	1×FK 3323.200:71/82M <sup>3</sup> /H 2×FK 3323.200:85/98M <sup>3</sup> /H 1×FK 3323.200:78/90M <sup>3</sup> /H	
Axial fan	Self-start screened magnetic pole motor	
Rated current	0.12A 0.11A	
power	19W/18W	
Noise level	46/49dB(A)	
Scope of temperature	-10°C~+55 · · ?/FONT>	
Exit filter Type:	<b>NMF12</b>	
It is possible to write to our company to consult if needing special voltage.		

**Dia. NMV12**



**Dia. NMF12**

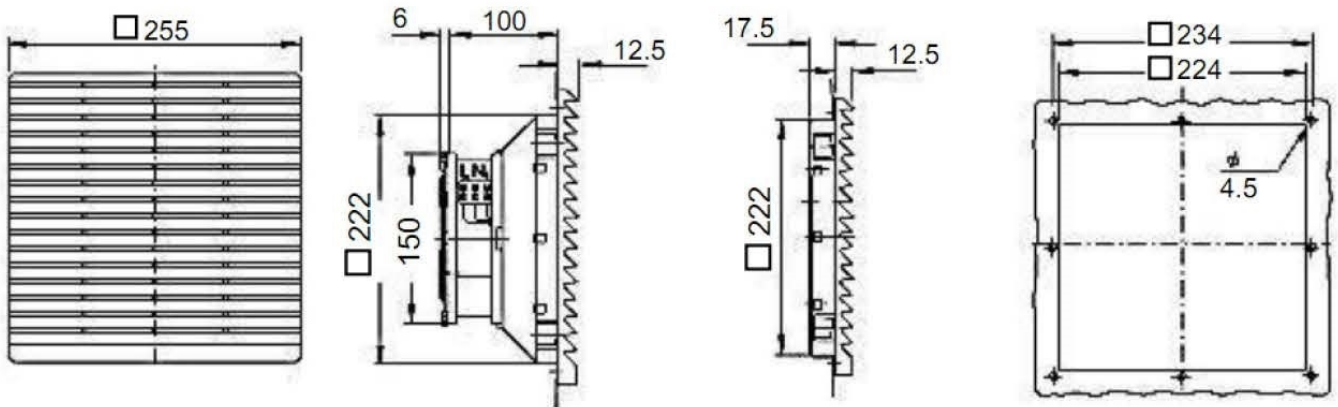


# Type NMV25 : 6" inch

Fan and filter Type:	<b>NMV25</b>
Designed working voltage V/H	230/50/60
Air flow, free blowing	105/120m <sup>3</sup> /h
Flux of air equip filter exported Include filtering pad of standard	1×FK 3323.200:71/82M <sup>3</sup> /H 2×FK 3323.200:85/98M <sup>3</sup> /H 1×FK 3323.200:78/90M <sup>3</sup> /H
Axial fan	Self-start screened magnetic pole motor
Rated current	0.12A 0.11A
power	19W/18W
Noise level	46/49dB(A)
Scope of temperature	-10°C~+55 °C
Exit filter Type:	<b>NMF25</b>
It is possible to write to our company to consult if needing special voltage.	

**Dia. NMV25**

**Dia. NMF25**

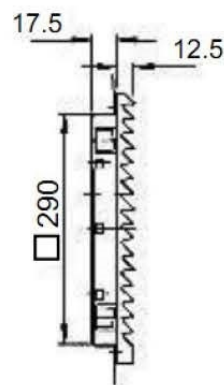
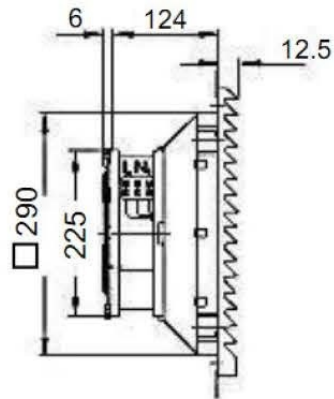
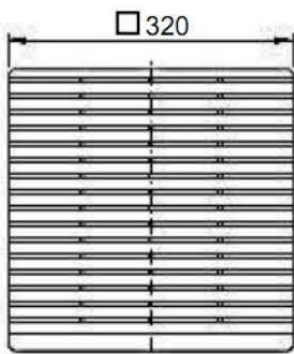


# Type NMV30 : 8" inch

Fan and filter Type:	NMV30		
Designed working voltage V/H	230/50/60		
Air flow, free blowing	20/25m <sup>3</sup> /h		
Flux of air equip filter exported Include filtering pad of standard	1×FK 6621.300:15/18M <sup>3</sup> /H		
Axial fan	Self-start screened magnetic pole motor		
Rated current	0.8A		
power	16W/14W		
Noise level	41/46dB(A)		
Scope of temperature	-10°C~+55 · · ?/FONT>		
Exit filter Type:	NMF30		

It is possible to write to our company to consult if needing special voltage.

**Dia. NMV30**



**Dia. NMF30**

