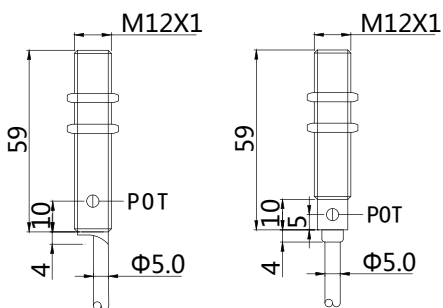


Features:

- M12*1 mm , Plastic/Brass,nickel-plated housing;
- 3mm , flush mountable;
- DC 3-wire , switching output;
- Cable



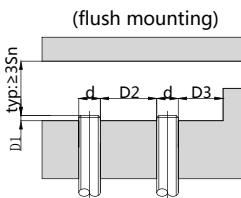
Dimensioned drawing



(Brass, nickel-plated)

(PBT)

Mounting



Sn	D1	D2	D3
M1203	≥1	≥12	≥12

⚠ Tightening torque of the fastening screws: <10Nm!

⚠ Tightening torque of the fastening screws: <1Nm!(PBT)

Correction Factor	
Non-ferrous metal	Factor
Water	1
Alcohol	0.7
Ceramic	0.6
Glass	0.5
Oil	0.3

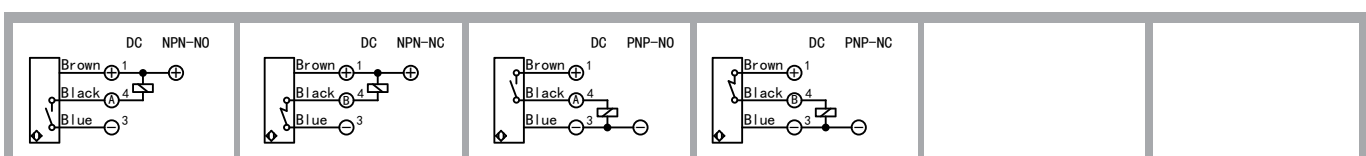
Model No.

Housing material	Brass, nickel-plated	PBT
NPN N. O	CB-M1203N-C11P2	CB-M1203N-P11P2
NPN N. C	CB-M1203N-C21P2	CB-M1203N-P21P2
PNP N. O	CB-M1203P-C11P2	CB-M1203P-P11P2
PNP N. C	CB-M1203P-C21P2	CB-M1203P-P21P2

Technical data

Electrical data	Operating voltage	10-30V DC
	Switching frequency	100Hz
	Voltage drop	≤2.0V
	Leakage current	<0.01mA
	Load current	200mA
	No load current	≤10mA(24V)
	Hysteresis	<15%(Sr)
	Repeatability	<5.0%(Sr)
	Temperature drift	<10%(Sr)
	Short circuit protection	Yes
Overload protection	Yes	
Polarity reversal protection	Yes	
Environment	Ambient temperature	-25...70°C
	Ingress protection	IP67
Mechanical data	Housing material	Brass,nickel-plated/PBT
	Face material	PBT
Electrical connection	Connectors	PVC cable/2m ; 3*0.35mm²
Accessories	Accessories	NO
		(to be ordered separately)

Wiring



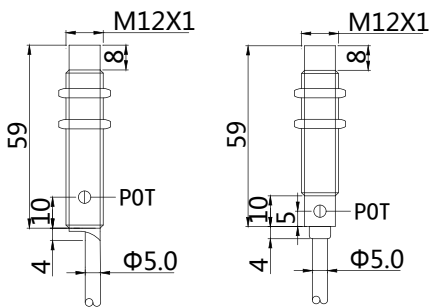


Features:

- M12*1 mm , Plastic/Brass,nickel-plated housing;
- 6mm , non-flush mountable;
- DC 3-wire , switching output;
- Cable



Dimensioned drawing

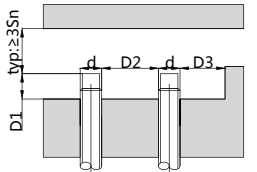


(Brass, nickel-plated)

(PBT)

Mounting

(non-flush mounting)



Sn	D1	D2	D3
M1206	≥12	≥24	≥12

⚠ Tightening torque of the fastening screws: <10Nm!

⚠ Tightening torque of the fastening screws: <1Nm!(PBT)

Correction Factor	
Nav-ferrous metal	Factor
Water	1
Alcohol	0.7
Ceramic	0.6
Glass	0.5
Oil	0.3

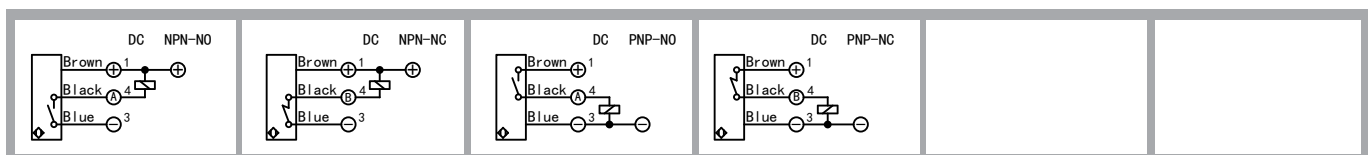
Model No.

Housing material	Brass, nickel-plated	PBT
NPN N. O	CN-M1206N-C11P2	CN-M1206N-P11P2
NPN N. C	CN-M1206N-C21P2	CN-M1206N-P21P2
PNP N. O	CN-M1206P-C11P2	CN-M1206P-P11P2
PNP N. C	CN-M1206P-C21P2	CN-M1206P-P21P2

Technical data

Electrical data	Operating voltage	10-30V DC
	Switching frequency	100Hz
	Voltage drop	≤2.0V
	Leakge current	<0.01mA
	Load current	200mA
	No load current	≤10mA(24V)
	Hysteresis	<15%(Sr)
	Repeatability	<5.0%(Sr)
	Temperature drift	<10%(Sr)
	Short circuit protection	Yes
Overload protection	Yes	
Polarity reversal protection	Yes	
Environment	Ambient temperature	-25...70°C
	Ingress protection	IP67
Mechanical data	Housing material	Brass,nickel-plated/PBT
	Face material	PBT
Electrical connection	Connectors	PVC cable/2m ; 3*0.35mm²
Accessories	Accessories	NO
		(to be ordered separately)

Wiring



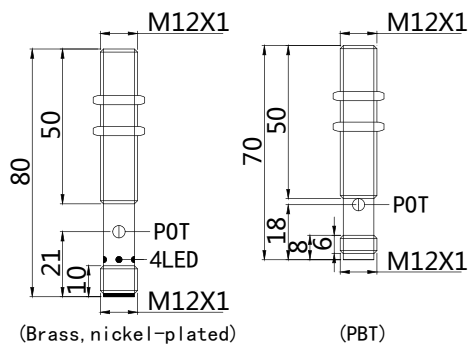


Features:

- M12*1 mm , Plastic/Brass,nickel-plated housing;
- 3mm , flush mountable;
- DC 3-wire , switching output;
- Connector versions



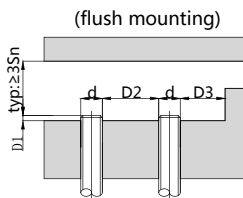
Dimensioned drawing



Model No.

Housing material	Brass, nickel-plated	PBT
NPN N. O	CB-M1203N-C11S12	CB-M1203N-P11S12
NPN N. C	CB-M1203N-C21S12	CB-M1203N-P21S12
PNP N. O	CB-M1203P-C11S12	CB-M1203P-P11S12
PNP N. C	CB-M1203P-C21S12	CB-M1203P-P21S12

Mounting



Sn	D1	D2	D3
M1203	≥1	≥12	≥12

⚠ Tightening torque of the fastening screws: <10Nm!

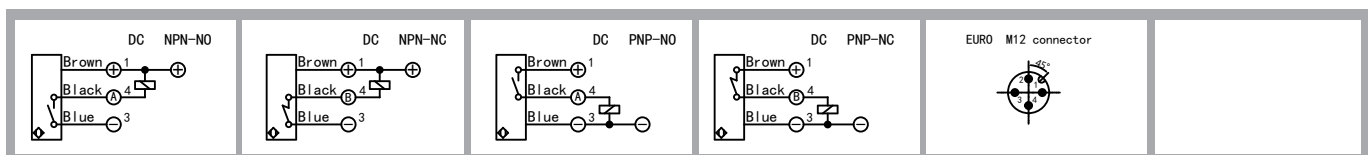
⚠ Tightening torque of the fastening screws: <1Nm!(PBT)

Correction Factor	
Nav-ferrous metal	Factor
Water	1
Alcohol	0.7
Ceramic	0.6
Glass	0.5
Oil	0.3

Technical data

Electrical data	Operating voltage	10-30V DC
	Switching frequency	100Hz
	Voltage drop	≤2.0V
	Leakge current	<0.01mA
	Load current	200mA
	No load current	≤10mA(24V)
	Hysteresis	<15%(Sr)
	Repeatability	<5.0%(Sr)
	Temperature drift	<10%(Sr)
	Short circuit protection	Yes
	Overload protection	Yes
	Polarity reversal protection	Yes
Environment	Ambient temperature	-25...70°C
	Ingress protection	IP67
Mechanical data	Housing material	Brass,nickel-plated/PBT
	Face material	PBT
Electrical connection	Connectors	M12 connector
Accessories	Accessories	B12-4GV2/B12-4WV2 (to be ordered separately)

Wiring



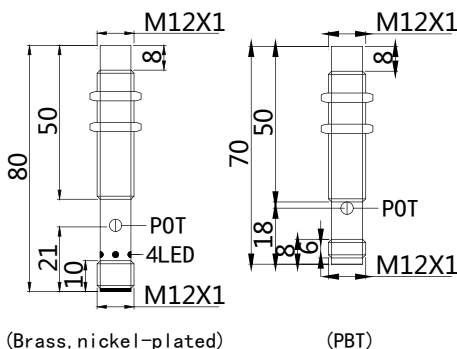


Features:

- M12*1 mm , Plastic/Brass,nickel-plated housing;
- 6mm , non-flush mountable;
- DC 3-wire , switching output;
- Connector versions



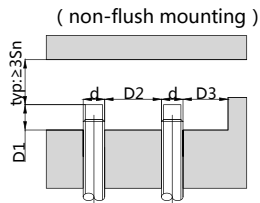
Dimensioned drawing



(Brass, nickel-plated)

(PBT)

Mounting



Sn	D1	D2	D3
M1206	≥12	≥24	≥12

⚠ Tightening torque of the fastening screws: <10Nm!

⚠ Tightening torque of the fastening screws: <1Nm!(PBT)

Correction Factor	
Non-ferrous metal	Factor
Water	1
Alcohol	0.7
Ceramic	0.6
Glass	0.5
Oil	0.3

Model No.

Housing material	Brass, nickel-plated	PBT
NPN N. O	CN-M1206N-C11S12	CN-M1206N-P11S12
NPN N. C	CN-M1206N-C21S12	CN-M1206N-P21S12
PNP N. O	CN-M1206P-C11S12	CN-M1206P-P11S12
PNP N. C	CN-M1206P-C21S12	CN-M1206P-P21S12

Technical data

Electrical data	Operating voltage	10-30V DC
	Switching frequency	100Hz
	Voltage drop	≤2.0V
	Leakge current	<0.01mA
	Load current	200mA
	No load current	≤10mA(24V)
	Hysteresis	<15%(Sr)
	Repeatability	<5.0%(Sr)
	Temperature drift	<10%(Sr)
	Short circuit protection	Yes
Overload protection	Yes	
Polarity reversal protection	Yes	
Environment	Ambient temperature	-25...70°C
	Ingress protection	IP67
Mechanical data	Housing material	Brass,nickel-plated/PBT
	Face material	PBT
Electrical connection	Connectors	M12 connector
Accessories	Accessories	B12-4GV2/B12-4WV2
		(to be ordered separately)

Wiring

