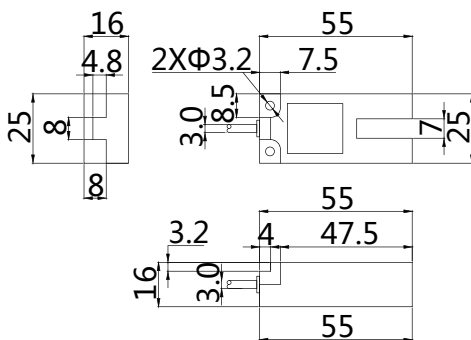


Features :

- Rectangular plastic housing;
- DC 4-wire,switching output;
- Cable version;
- VDE safety class:III;
- Ingress protection:IP67



Dimensioned drawing



Model No.

| | |
|-------------------|-----------------|
| Sensing range | Sn: 7 mm |
| NPN Light/Dark-on | FG25-G07N-P31P2 |
| PNP Light/Dark-on | FG25-G07P-P31P2 |

Background suppression

Through-beam sensors



Through-beam photoelectric sensors has independent transmitters and receivers,structure two are separated from each other,the emitter(E)directly transmitted to the receiver(R).At the time of installation,must be bothaligned establish light path. No matter any objectblocking the light,the voltage of the receiver drops,switch changes.

Technical data

| | | |
|------------------------------|---------------------|--|
| Electrical data | Operating voltage | 10-30VDC |
| | Switching frequency | 500Hz |
| | Light type | Infrared light 880nm/Red light 650nm |
| | Response time | <2ms |
| | Load current | 100mA |
| | Power-up delay | <300ms |
| | Adjustment | Single-turn potentiometer |
| Environment | Light immunity | <5000Lux. |
| | Ambient temperature | -25...55°C |
| | Ambient humidity | 35-85% |
| Mechanical data | Housing material | ABS |
| | Lens material | PMMA |
| | Operating indicator | Yellow:output/Green:power supply |
| Electrical connection | Connectors | PVC cable/2m,4*0.15mm ² |
| | Accessories | Accessories NO (to be ordered separately) |

Wiring

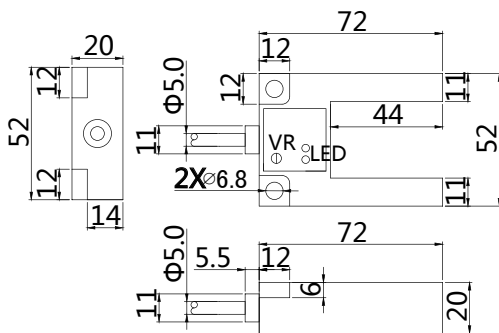


Features :

- Rectangular plastic housing;
- DC 4-wire,switching output;
- Cable version;
- VDE safety class:III;
- Ingress protection:IP67



Dimensioned drawing



Model No.

| | |
|-------------------|-----------------|
| Sensing range | Sn: 30 mm |
| NPN Light/Dark-on | FG50-G30N-P31P2 |
| PNP Light/Dark-on | FG50-G30P-P31P2 |

Background suppression

Through-beam sensors



Through-beam photoelectric sensors has independent transmitters and receivers,structure two are separated from each other,the emitter(E)directly transmitted to the receiver(R).At the time of installation,must be bothaligned establish light path. No matter any objectblocking the light,the voltage of the receiver drops,switch changes.

Technical data

| | | |
|------------------------------|---------------------|--------------------------------------|
| Electrical data | Operating voltage | 10-30VDC |
| | Switching frequency | 500Hz |
| | Light type | Infrared light 880nm/Red light 650nm |
| | Response time | <2ms |
| | Load current | 100mA |
| | Power-up delay | <300ms |
| | Adjustment | Single-turn potentiometer |
| Environment | Light immunity | <5000Lux. |
| | Ambient temperature | -25...55°C |
| | Ambient humidity | 35-85% |
| Mechanical data | Housing material | ABS |
| | Lens material | PMMA |
| | Operating indicator | Yellow:output/Green:power supply |
| Electrical connection | Connectors | PVC cable/2m,4*0.25mm ² |
| Accessories | Accessories | NO |
| | | (to be ordered separately) |

Wiring

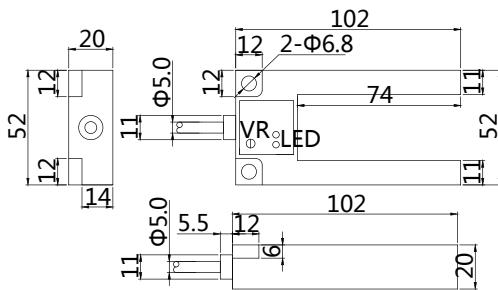


Features :

- Rectangular plastic housing;
- DC 4-wire,switching output;
- Cable version;
- VDE safety class:III;
- Ingress protection:IP67



Dimensioned drawing



Model No.

| | |
|-------------------|--------------------------|
| Sensing range | Sn: 30 mm |
| NPN Light/Dark-on | FG50-G30N-P31P2-L |
| PNP Light/Dark-on | FG50-G30P-P31P2-L |

Background suppression

Through-beam sensors



Through-beam photoelectric sensors has independent transmitters and receivers,structure two are separated from each other,the emitter(E)directly transmitted to the receiver(R).At the time of installation,must be bothaligned establish light path. No matter any objectblocking the light,the voltage of the receiver drops,switch changes.

Technical data

| | | |
|------------------------------|---------------------|--|
| Electrical data | Operating voltage | 10-30VDC |
| | Switching frequency | 500Hz |
| | Light type | Infrared light 880nm/Red light 650nm |
| | Response time | <2ms |
| | Load current | 100mA |
| | Power-up delay | <300ms |
| | Adjustment | Single-turn potentiometer |
| Environment | Light immunity | <5000Lux. |
| | Ambient temperature | -25...55°C |
| | Ambient humidity | 35-85% |
| Mechanical data | Housing material | ABS |
| | Lens material | PMMA |
| | Operating indicator | Yellow:output/Green:power supply |
| Electrical connection | Connectors | PVC cable/2m,4*0.25mm ² |
| | Accessories | Accessories NO (to be ordered separately) |

Wiring

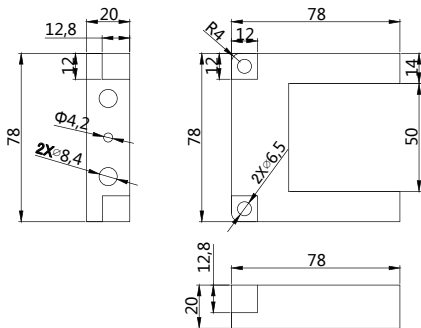


Features :

- Rectangular plastic housing;
- DC 4-wire,switching output;
- Cable version;
- VDE safety class:III;
- Ingress protection:IP67



Dimensioned drawing



Model No.

| | |
|-------------------|-----------------|
| Sensing range | Sn: 50 mm |
| NPN Light/Dark-on | FG78-G50N-P31P2 |
| PNP Light/Dark-on | FG78-G50P-P31P2 |

Background suppression

Through-beam sensors



Through-beam photoelectric sensors has independent transmitters and receivers,structure two are separated from each other,the emitter(E)directly transmitted to the receiver(R).At the time of installation,must be bothaligned establish light path. No matter any objectblocking the light,the voltage of the receiver drops,switch changes.

Technical data

| | | |
|------------------------------|---------------------|--------------------------------------|
| Electrical data | Operating voltage | 10-30VDC |
| | Switching frequency | 500Hz |
| | Light type | Infrared light 880nm/Red light 650nm |
| | Response time | <2ms |
| | Load current | 100mA |
| | Power-up delay | <300ms |
| | Adjustment | Single-turn potentiometer |
| Environment | Light immunity | <5000Lux. |
| | Ambient temperature | -25...55°C |
| | Ambient humidity | 35-85% |
| Mechanical data | Housing material | ABS |
| | Lens material | PMMA |
| | Operating indicator | Yellow:output/Green:power supply |
| Electrical connection | Connectors | PVC cable/2m,4*0.25mm ² |
| Accessories | Accessories | NO |
| | | (to be ordered separately) |

Wiring

