



KZ4TG10
KZ4TG11
KZ4TG12

产品特点Product character

产品是一款智能型电源保护器，具有过压保护、欠压保护、缺相保护、逆相保护、三相不平衡功能保护于一体，体积小可靠性高

- This product is smart power protector with the following functions
- ◆ Over-voltage protection
 - ◆ Under-voltage protection
 - ◆ Loss phase protection
 - ◆ Reverse phase protection
 - ◆ Three-phase imbalance protection
 - ◆ The above protections are in one and small volume and high reliability

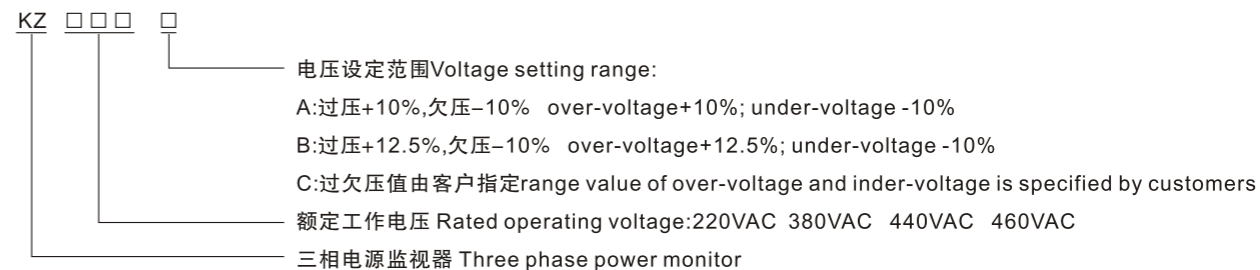
产品参数Product parameter

- ◆ 过压保护、欠压保护、缺相保护、逆相保护、三相不平衡保护
- ◆ 注:过压和欠压保护约4-7秒动作缺相和逆相保护约1-2秒动作
- ◆ 由于本保护器只针对电压及其相序进行保护，所以适用于各种功率的电机;如不需要上述某一项保护功能，请在订货时注明
- ◆ 电源电压：三相380±20%
- ◆ 输出触点容量：250VAC6A 30VDC3A
- ◆ 工作环境：温度-20℃~+70℃
- ◆ 相对湿度：45%~85%RH
- ◆ 频率：50/60Hz
- ◆ 触点形式:两常开两常闭
- ◆ 外形尺寸：长*宽*高79mmx23mmx79mm
- ◆ Over-voltage protection, under voltage protection, loss phase protection, reverse phase protection, three-phase imbalance protection. Note: over voltage and under voltage protection for about 4-7 seconds action phase ; reverse phase protection action for about 1-2 seconds.
- ◆ This product is suitable for all kinds of power motors voltage and phase protection and pls specify if not meet our mentioned a certain functions.
- ◆ Voltage range : three phrases 380±20%
- ◆ Output contact capacity: 250VAC6A 30VDC3A
- ◆ Working temperature: -20℃~+70℃
- ◆ Relative humidity: 45%-85%RH
- ◆ Frequency: 50/60Hz
- ◆ Contact form: DPDT
- ◆ Size: 79mmx23mmx79mm

适用范围Usage scope

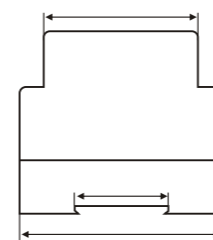
- ◆ 本产品广泛用于各种低压电器控制系统，是工业设备运行维护设备工作电压正常的不可缺少保护产品。
- ◆ 本产品符合GB14048.5-2001eqvIEC60947-1:999标准
- ◆ Widely used in all kinds of low-voltage electrical control system and is essential protection products for industrial equipment voltage operation.
- ◆ Standard:Conforms to GB14048.5-2001(IEC60947-1:999)

型号及命名Model name

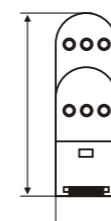


外形及安装尺寸Installation dimensions

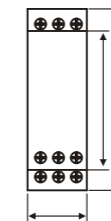
接线图 Wiring diagram



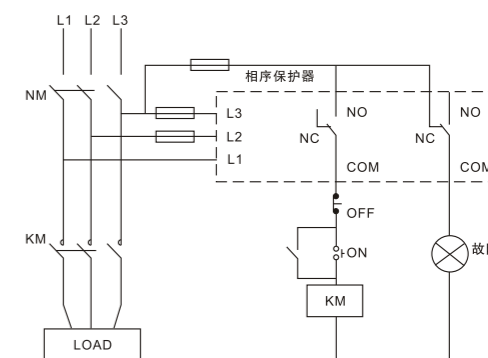
侧视图 Side view



前视图 Front view



顶视图 Top view



警告：本产品不得安装在变频电流的输出侧，
Warming! this product shall not be installed on the output side of the inverter current

电压范围选型表Typical Voltage range Chart

型号 Type	额定电压 Rated voltage(V)	过压设定 Over voltage setting	欠压设定 Under voltage setting
KZ-220	220	253	187
KZ-220A	220	242	198
KZ-220B	220	248	198
KZ-220C	220	The customer designated	The customer designated
KZ-380	380	437	323
KZ-380A	380	418	342
KZ-380B	380	428	342
KZ-380C	380	The customer designated	The customer designated
KZ-440	440	506	374
KZ-440A	440	484	396
KZ-440B	440	495	396
KZ-440C	440	The customer designated	The customer designated
KZ-460	460	529	391
KZ-460A	460	506	414
KZ-460B	460	518	414
KZ-460C	460	The customer designated	The customer designated