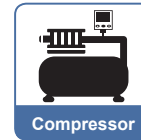
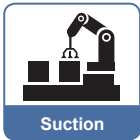


KP47 SERIES

Economical Pressure Sensor

Features

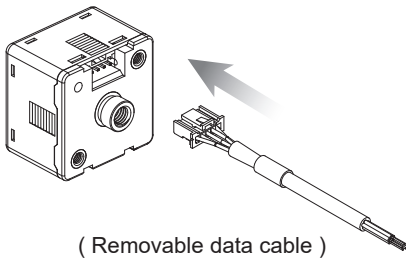
- 3-color digital LCD display
- Main / Sub-Display, 4 digits 7 segment LCD display
- Programmable pressure unit :
kPa、MPa、kgf/cm²、bar、psi、inHg、mmHg
- Dual LCD display allows setting value to be displayed
- Key lock indicator
- Power-save mode
- Fine adjustment mode



Features Highlight

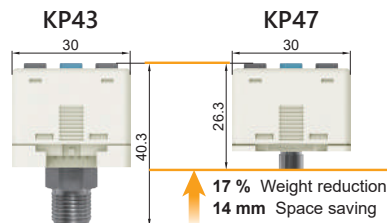
1 Quick Installation

- Save installation time
- Easy removal



2 Compact design

- Compared with similar products, approx. 35 % shorter



3 Setting Value Easy Indication

- User can easily observe the setting value from sub-display

Main / Sub-Display



Main Display

Sub-Display

4 2-Color Main Display

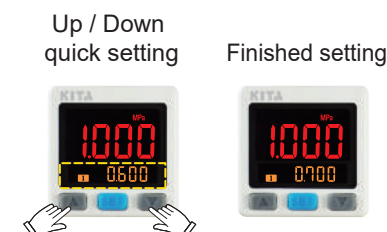
- User programmable color mode, for different setting conditions



	5.0k	5.0r	6.0g	7.6b
ON	Green	Red	Green	Red
OFF	Red	Green	Green	Red

5 OPS Quick Setting

- Sub-display allows changing the parameter directly, reduce setting step by 3/4



6 Easy Unit Identification

- Conversion unit is on display and easy to read

mmHg inHg psi bar kgf/cm² MPa kPa



Specifications

MODEL	KP47C (Compound)	KP47V (Vacuum)	KP47P (Positive)
Rated Pressure Range	-100.0 ~ 100.0 kPa	0.0 ~ -101.3 kPa	-0.100 ~ 1.000 MPa
Set Pressure Range	-103.0 ~ 103.0 kPa	10.0 ~ -103.0 kPa	-0.103 ~ 1.030 MPa
Withstand Pressure	500 kPa		1.5 MPa
Fluid	Filtered air, Non-corrosive / Non-flammable gas		
Set Pressure Resolution	kPa	0.1	-
	MPa	-	0.001
	kgf / cm ²	0.001	0.01
	bar	0.001	0.01
	psi	0.01	0.1
	inHg	0.1	-
	mmHg	1	-
Power Supply Voltage	12 to 24 V DC ±10 %, Ripple (P-P) 10 % or less		
Current Consumption	≤ 30 mA (With no load)		
Switch Output	NPN : open collector outputs Max. Load Current : 80 mA Max. Supply Voltage : 30 V DC Residual Voltage : ≤ 1 V	PNP : open collector outputs Max. Load Current : 80 mA Max. Supply Voltage : 24 V DC Residual Voltage : ≤ 1 V	
Repeatability (Switch Output)	±0.3 % F.S. ±1 digit		
Hysteresis	One Point Set Mode	Adjustable *1	
	Hysteresis Mode		
	Window Comparator Mode		
Response Time	≤ 2.5 ms (chattering-proof function : 25 ms, 100 ms, 250 ms, 500 ms, 1000 ms and 1500 ms selectable)		
Output Short Circuit Protection	Yes		
Display	4 digital, 7 segment LCD display (Red / Green / Orange) (Sampling rate : 5 times / sec.)		
Indicator Accuracy	±1 % F.S. ±1 digit (ambient temperature : 25 ±3 °C)		
Switch on Indicator	Orange indicator 1 : OUT1 & Orange indicator 2 : OUT2		
Analog Output (Voltage Output)	Output Voltage : 1 to 5 V ±2.5 % F.S. (within rated pressure range) Linearity : ±1 % F.S. Output Impedance : about 1 kΩ		Output Voltage : 0.6 to 5 V ±2.5 % F.S. (within rated pressure range) Linearity : ±1 % F.S. Output Impedance : about 1 kΩ
	Enclosure	IP 40	
Environment	Ambient temp. range	Operation : 0 ~ 50 °C, Storage : -10 ~ 60 °C (No condensation or freezing)	
	Ambient humidity range	Operation / Storage : 35 ~ 85 % RH (No condensation)	
	Withstand voltage	1000 V AC in 1-min (between case and lead wire)	
	Insulation resistance	50 MΩ (at 500 V DC, between case and lead wire)	
	Vibration	Total amplitude 1.5 mm or 10 G, 10 Hz - 150 Hz - 10 Hz scan for 1 minute, two hours each direction of X, Y and Z	
	Shock	100 m/s ² (10 G), 3 times each in direction of X, Y and Z	
Temperature characteristic	±2 % F.S. of detected pressure (25 °C) at temp. Range of 0 ~ 50 °C		
Port size	F1 : R1/8" ; F2 : NPT1/8" ; F3 : G1/8" (BSPP) ; M5 : M5 female thread		
Lead wire	Oil-resistance cable (0.15 mm ²)		
Weight	Approx. 67 g (with 2 meter lead wire)		

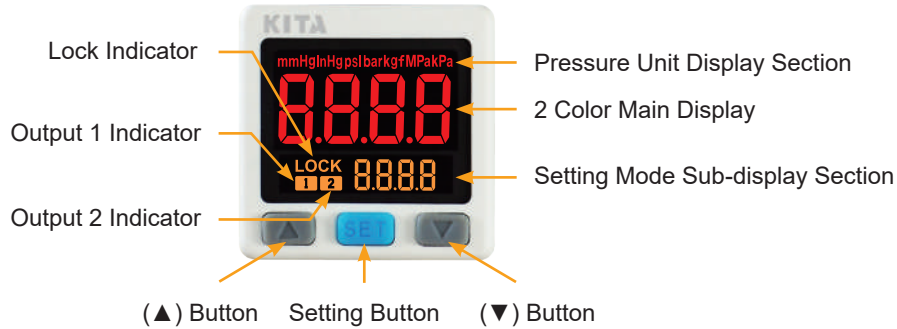
NOTE :

*1 : Hysteresis value is adjustable within 1 ~ 8 digits for one point set mode and window comparator mode.

KP47 SERIES

Economical Pressure Sensor

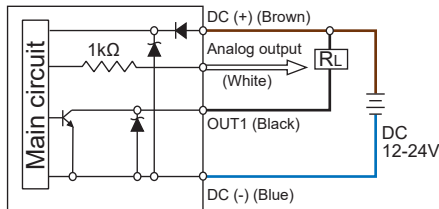
Panel Description



Circuit Wiring Diagrams

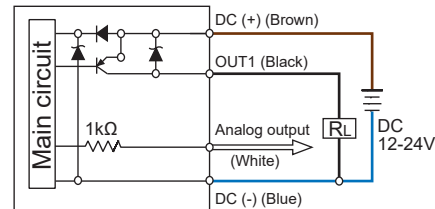
KP47□ - 01 - □

1NPN + Analog output (1 ~ 5 V) (0.6 ~ 5 V only positive)



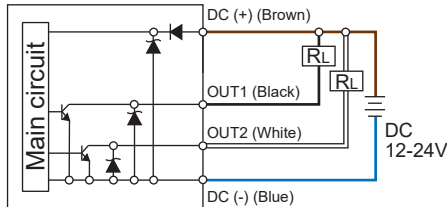
KP47□ - 03 - □

1PNP + Analog output (1 ~ 5 V) (0.6 ~ 5 V only positive)



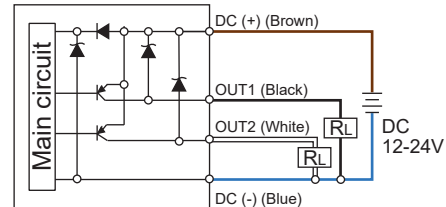
KP47□ - 02 - □

2NPN + output



KP47□ - 04 - □

2PNP + output



Ordering Information

K P 4 7 C - 0 1 - F 1

Pressure Range

C : Compound (-103.0 ~ 103.0 kPa)
V : Vacuum (10.0 ~ -103.0 kPa)
P : Positive (-0.103 ~ 1.030 MPa)

Output Specifications

01 : 1 NPN output + Analog output (1 ~ 5 V)
02 : 2 NPN output
03 : 1 PNP output + Analog output (1 ~ 5 V)
04 : 2 PNP output

Pressure Port

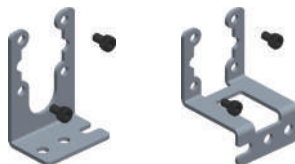
F1 : R1/8", M5
F2 : NPT1/8", #10-32UNF
F3 : G1/8" (BSPP), M5
M5 : M5 female thread

Optional Parts

BT-22 : Mounting bracket
BT-23 : Mounting bracket
PA-C : Panel adapter
PA-D : Panel adapter +
Front protective lid

Optional Parts

■ Mounting Bracket : BT-22 / BT-23



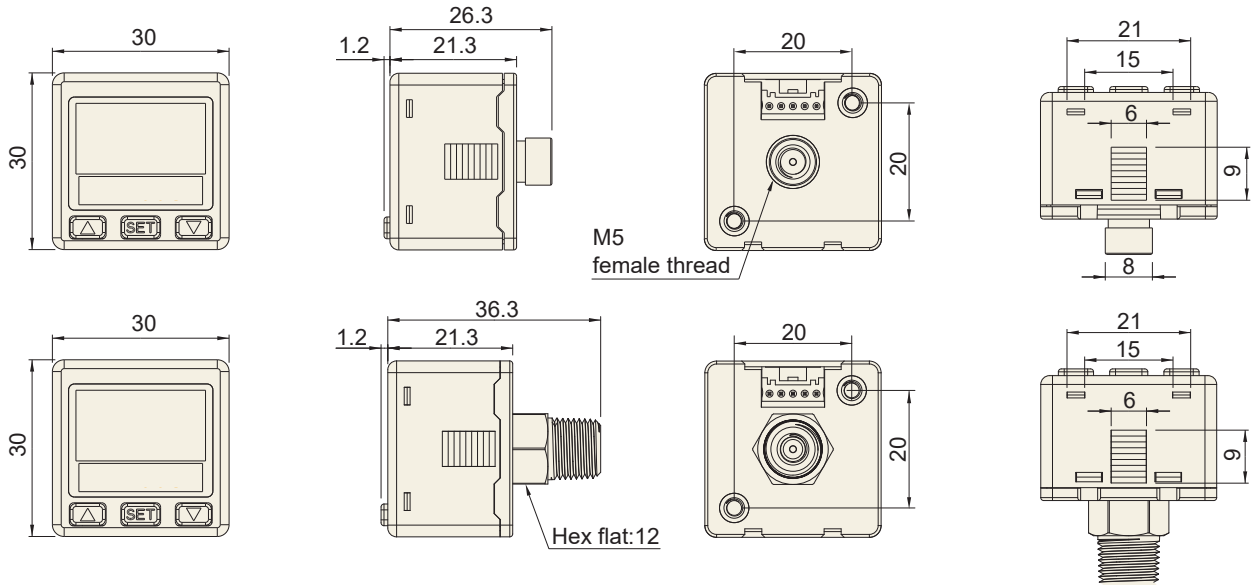
■ Panel Adapter : PA-C



■ Panel Adapter + Front Protective Lid : PA-D

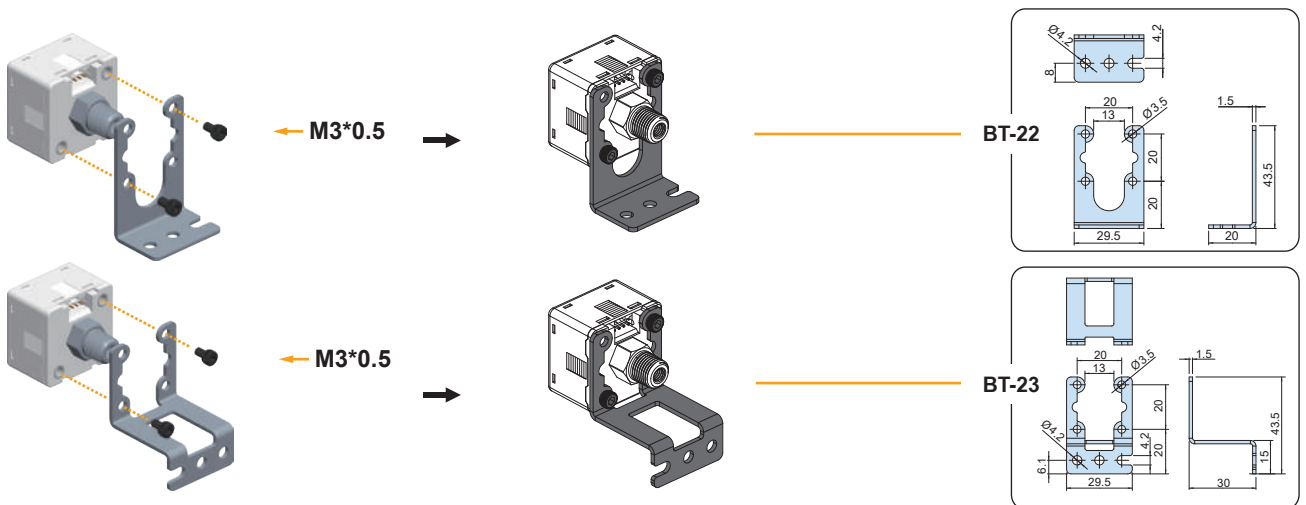


Dimensions



Optional Parts Dimensions

1 Mounting Bracket



2 Panel Mount Adapter + Front Protective Lid

