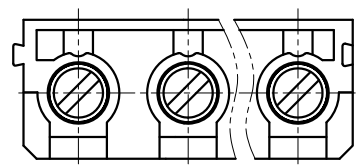


REVISION RECORD				
REV	ECN	DESCRIPTION	DRFT	DATE



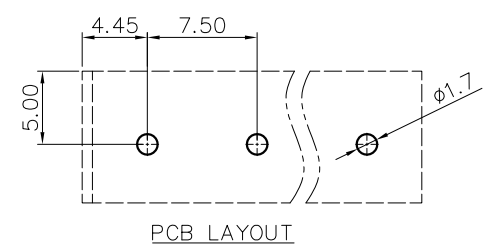
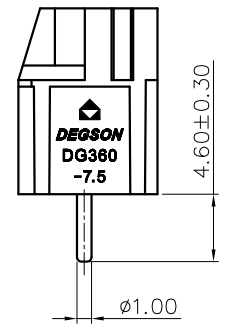
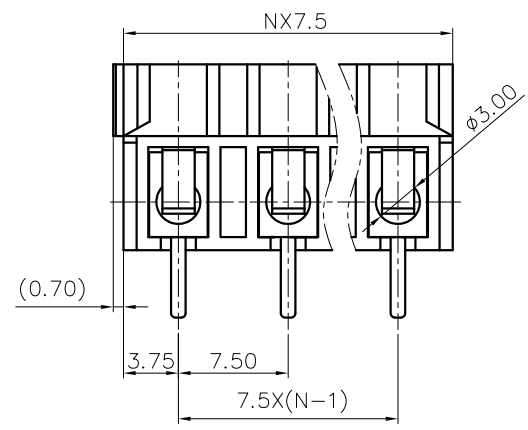
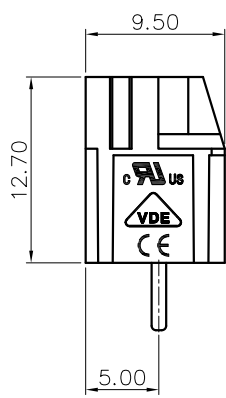
NOTES1:
 UL Standard
 1.Rated voltage/current : 300V / 15A
 2.Torque value : M3 , 4.43Lb.in
 3.Wire range : 22~14AWG
 IEC Standard
 1.Rated voltage/current : 450V / 24A
 2.Torque value : M3 , 0.5N·m
 3.Wire range : 1.0~2.5mm²

NOTES2:
 1.Dimension shall be interpreted per ASME Y14.5-2009
 2.Pitch : 7.5mm, Poles : N=2~24P
 3.Stripping length : 6~7mm
 4.Withstanding voltage : AC2500V/1Min
 5.Operating temperature : -30°C~+120°C
 6.Undimensioned tolerances:

Pitch range in mm		Nominal dimension range in mm						-	∩	∇
TO	Over	TO	Over	TO	Over	TO	Over	TO	Over	
6	10	10	24	30	60	100	150		0.1/10	
±0.15	±0.20	±0.30	±0.30	±0.50	±0.70	±1.00	±1.30		<	

7.RoHS Compliance

DG360 - 7.5 - XXP - 1Y - 00A (H)
 (Series No.) (Pitch) (Poles) (Single Pitch) (Color):1.(Grey)
 2.(Blue)
 3.(Black)
 4.(Green)
 5.(Orange)
 6.(Red)
 7.(Transparent)
 8.(Yellow)
 9.(White)



DETACHED LISTS	PART NO.:	/			
	APPD:	/			
	CHKD:	/			
	DRFT:	/			
	THIRD ANGLE PROJECTION		DRAWING NO.:		/
		MM (INCH)		DO NOT SCALE DRAWING	
		TITLE: CUSTOMER DRAWING		REV	DO
		SHEET		1/1	
		SCALE		1:1	