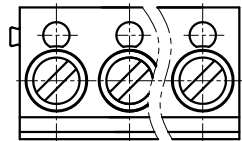


REVISION RECORD				
REV	ECN	DESCRIPTION	DRFT	DATE

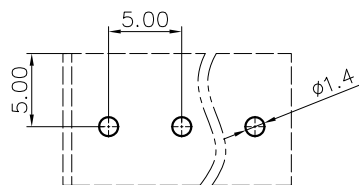
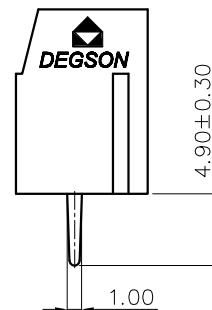
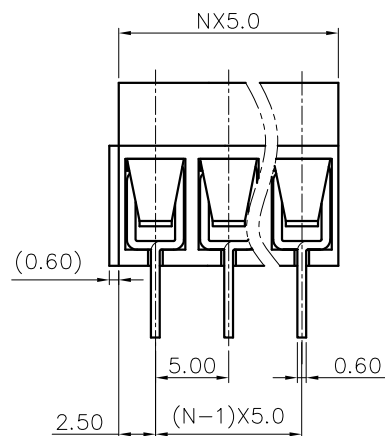
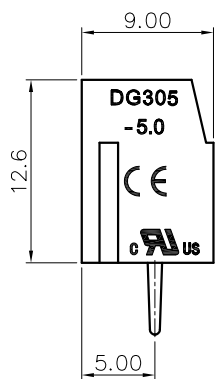


- NOTES1:
- UL Standard
  - 1.Rated voltage/current : 300V / 15A
  - 2.Torque value : M2.5 , 2.58Lb.in
  - 3.Wire range : 22~14AWG
- IEC Standard
- 1.Rated voltage/current : 250V / 20A
  - 2.Torque value : M2.5 , 0.29N·m
  - 3.Wire range : 2.5mm<sup>2</sup>

- NOTES2:
- 1.Dimension shall be interpreted per ASME Y14.5-2009
  - 2.Pitch : 5.0mm, Poles : N=2~24P
  - 3.Stripping length : 6~7mm
  - 4.Withstanding voltage : AC2000V/1Min
  - 5.Operating temperature: -30°C~+120°C
  - 6.Undimensioned tolerances:

Pitch range in mm		Nominal dimension range in mm						0.1/10
TO 6	Over 6 TO 10	Over 10 TO 24	TO 30	Over 30 TO 60	Over 60 TO 100	Over 100 TO 150	0.1/10	
±0.15	±0.20	±0.30	±0.30	±0.50	±0.70	±1.00	±2'	

7.RoHS Compliance



PCB LAYOUT

DG305 - 5.0 - XXP - 1Y - 00A (H)

(Series No.) (Pitch) (Poles) (Single Pitch) (Color): 1.(Grey)  
 2.(Blue)  
 3.(Black)  
 4.(Green)  
 5.(Orange)  
 6.(Red)  
 7.(Transparent)  
 8.(Yellow)  
 9.(White)

DETACHED LISTS	PART NO.:	宁波高松电子有限公司 NINGBO DEGSON ELECTRICAL CO., LTD			
	APPD:	NAME: DG305-5.0-XXP-1Y-00A(H)			
	CHKD:	TITLE: CUSTOMER DRAWING			
	DRFT:	DRAWING NO.:		REV	DO
THIRD ANGLE PROJECTION		DO NOT SCALE DRAWING		SHEET	1/1
		MM (INCH)	SCALE	1:1	