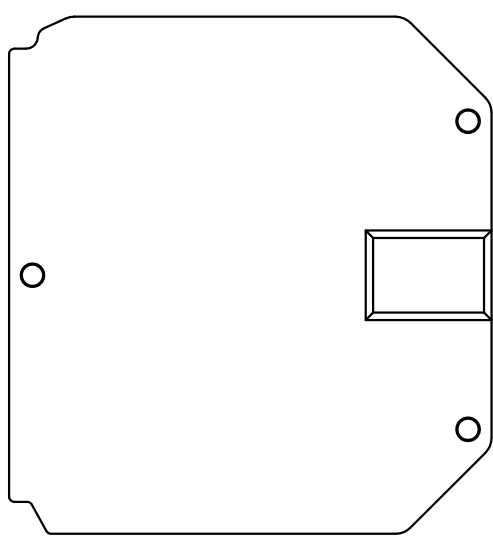
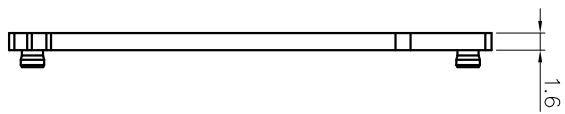
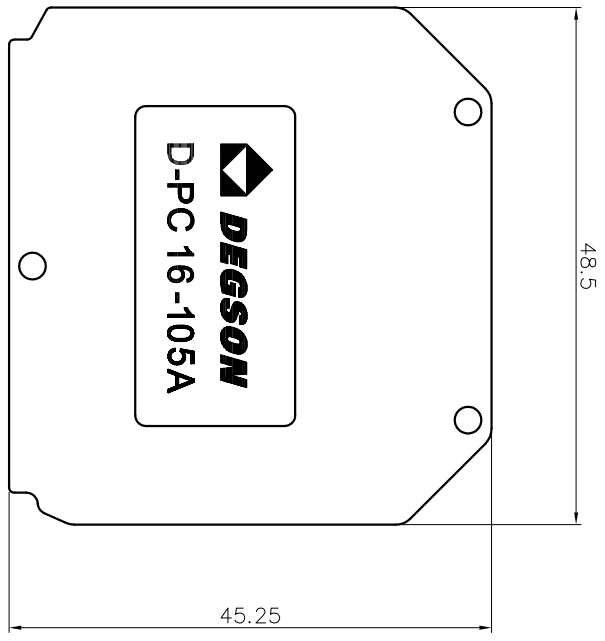


REVISION RECORD				
REV	ECN	DESCRIPTION	DRFT	DATE



D-PC16 - 01P - 1Y - 105A (H)
 (RoHS)
 105A-(Customer Request)
 (Color) : 1.(Grey)
 2.(Blue)
 3.(Black)
 4.(Green)
 5.(Orange)
 6.(Red)
 7.(Transparent)
 8.(Yellow)
 9.(White)



NOTES:

- 1.Dimension shall be interpreted per ASME Y14.5-2009
- 2.Operating temperature: -40°C~+105°C
- 3.Undimensioned tolerances:

Pitch	Range		In mm	Nominal Dimension		Range		D
	Over	Under		Over	Under	Over	Under	
6	TO	TO	30	60	TO	TO	150	0.1/10
10	TO	TO	24	30	60	100	150	<
15	±0.15	±0.20	±0.30	±0.30	±0.50	±0.70	±1.00	±2°

4.RoHS Compliance

DETACHED LISTS			
PART NO.:	/	NAME:	DEGSON 宁波高松电子有限公司 NINGBO DEGSON ELECTRICAL CO.,LTD
APPD.:	/	TITLE:	CUSTOMER DRAWING
CHKD.:	/	DRAWING NO.:	/
DRFT.:	/	REV	DO
THIRD ANGLE PROJECTION		SCALE	1:1