


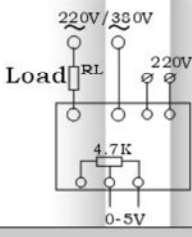


■ Voltage control of resistance adjustment

Performance index specifications	Product model number and external appearance	SAVR2210 SAVR2220 SAVR2225	SAVR3810 SAVR3820 SAVR3825
		SAVR2240 SAVR2260 SAVR2280	SAVR3840 SAVR3860 SAVR3880
Main Technical Specifications			
Load adjusting voltage		0-220VAC	0-380VAC
Current ratings		10A、20A、25A、40A、60A、80A	
Adjusting resistance		470K(Potentiometer)	
Isolation bet .In & out		Please be careful of electricity	
Isolation to case		≥2000VAC	
Turn to voltage		≥2V	
Operating temperature		-40~80°C	
Dimensions		P type (Picture on P4)	
Application account			

■ Voltage control of module of voltage

Performance index specifications	Product model number and external appearance	MGV22 Series (5Ato200A)	MGV38 Series (5Ato200A)
			
Main Technical Specifications			
Load adjusting voltage		0-220VAC	0-380VAC
Current ratings		5A、10A、25A、40A、60A、80A、100A、150A、200A	
Adjusting resistance		4.7K(Potentiometer)+0-5VDC,4-20mA	
Isolation bet .In & out		≥5000VAC	
Isolation to case		≥2000VAC	
Turn to voltage		≥2V	
Operating temperature		-40~48°C	
Dimensions		SA3 Type	
Application account			
Elucidation		Use 3 MGV to have 3-phase voltage control (It just be applied to star connection heating load)	