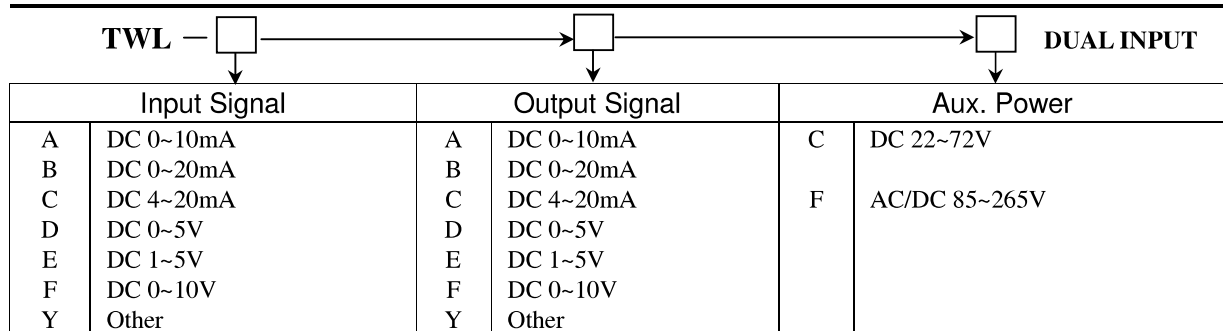


AC&M Low Selector Isolating Transmitter

FEATURES :

- Aux.Power AC 85~265V or DC 85~300V
- High Accuracy 0.1%RO at 23°C ± 5°C
- Input / Output User Selectable
- PC Plastic Case , DIN Rail or Wall Mounting
- High Dielectric Strength (AC 1.5KV/Min , between Input / Output / Power)



SPECIFICATIONS :

Accuracy : 0.2%RO at 23°C ± 5°C

Input Impedance : Voltage Input $\geq 1M \Omega$, Current Input $\leq 50\Omega$

Insulation Resistance : $\geq 100M \Omega$ / DC 500V

Output Load : DC Current Mode : $> 750\Omega$ in Output 20mA , DC Voltage Mode : 10mA Maximum

Equation : The output is equal to the highest input value.

Dielectric Strength : AC 2000V / Min , between Input / Output / Power.

Input Protection : $\geq 2V$ DC $\leq 300V$ rms Continuous ; $\leq 2V$ DC $\leq 150V$ rms Continuous ;
 $\leq 20mA$ DC $\leq 150mA$ Continuous

Linearity & Repeatability : $\leq 0.1\%$ Typical.

Common Mode Rejection : $\geq 120db$ DC to 60Hz

Stability : $\leq 0.2\%$ / Year.

Response Time : ≤ 400 mS

Ripple : $\leq 0.1\%$ rms RO

temperature Coefficient : $\leq 100ppm / ^\circ C$ From 0~60°C ; $\leq 50ppm / 25^\circ C \pm 5^\circ C$

Operation Condition : -5°C ~ +55°C 20~95% RH Non-Condensed.

Storage Condition : -10°C ~ +70°C 20~95% RH Non-Condensed.

Power Fluctuation Rate : Power Could Support AC 85~265V or DC 24V $\pm 10\%$

Aux. Power Effect : $\leq 0.03\%$ / V

Housing Material : Non-Combustible PC Products , Compliance With UL 94 CLASS V-O

Mounting : DIN Rail or Wall Mounting

Dimension : 27 W \times 119 H \times 70 L mm (Base)

SCHEMATIC CIRCUITRY & CONNECTION DIAGRAM :

