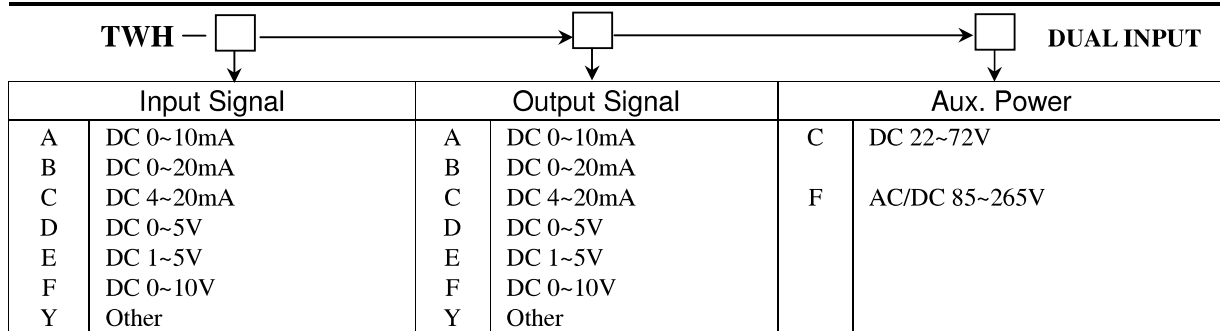


# AC&M High Selector Isolating Transmitter

## FEATURES :

- Aux.Power AC 85~265V or DC 85~300V
- High Accuracy 0.1%RO at 23°C ± 5°C
- Input / Output User Selectable
- PC Plastic Case , DIN Rail or Wall Mounting
- High Dielectric Strength ( AC 1.5KV/Min , between Input / Output / Power )



## SPECIFICATIONS :

**Accuracy :** 0.2%RO at 23°C ± 5°C

**Input Impedance :** Voltage Input ≥ 1M Ω , Current Input ≤ 50Ω

**Insulation Resistance :** ≥ 100M Ω / DC 500V

**Output Load :** DC Current Mode : > 750Ω in Output 20mA , DC Voltage Mode : 10mA Maximum

**Equation :** The output is equal to the highest input value.

**Dielectric Strength :** AC 2000V / Min , between Input / Output / Power.

**Input Protection :** ≥ 2V DC ≤ 300V rms Continuous ; ≤ 2V DC ≤ 150V rms Continuous ;  
≤ 20mA DC ≤ 150mA Continuous

**Linearity & Repeatability :** ≤ 0.1% Typical.

**Common Mode Rejection :** ≥ 120db DC to 60Hz

**Stability :** ≤ 0.2% / Year.

**Response Time :** ≤ 400 mS

**Ripple :** ≤ 0.1% rms RO

**temperature Coefficient :** ≤ 100ppm / °C From 0~60°C ; ≤ 50ppm / 25°C ± 5°C

**Operation Condition :** -5°C ~ +55°C 20~95% RH Non-Condensed.

**Storage Condition :** -10°C ~ +70°C 20~95% RH Non-Condensed.

**Power Fluctuation Rate :** Power Could Support AC 85~265V or DC 24V ± 10%

**Aux. Power Effect :** ≤ 0.03% / V

**Housing Material :** Non-Combustible PC Products , Compliance With UL 94 CLASS V-O

**Mounting :** DIN Rail or Wall Mounting

**Dimension :** 27 W × 119 H × 70 L mm (Base)

## SCHEMATIC CIRCUITRY & CONNECTION DIAGRAM :

