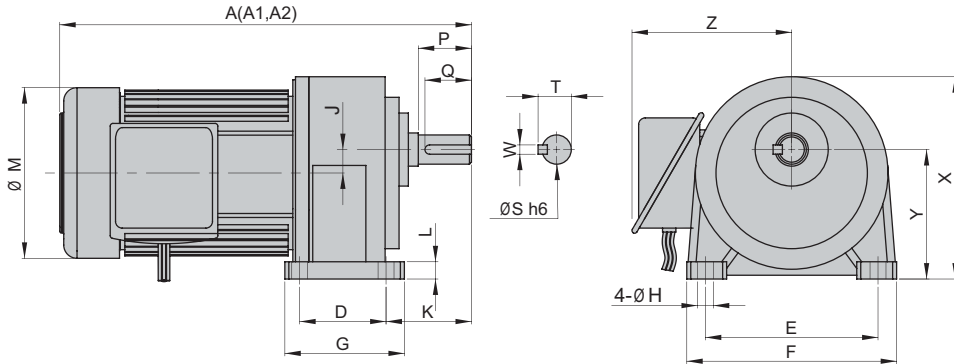




# LH Horizontal Alloy Gearmotor



## Dimension (mm)

| Output W(HP)                                | Ratio             | Housing | Code | A   | A1  | A2  | D   | E   | F   | G   | H  | J     | K    | L    | M   | X   | Y    | Z   | Output Shaft |    |    |    |    |
|---------------------------------------------|-------------------|---------|------|-----|-----|-----|-----|-----|-----|-----|----|-------|------|------|-----|-----|------|-----|--------------|----|----|----|----|
|                                             |                   |         |      |     |     |     |     |     |     |     |    |       |      |      |     |     |      |     | S            | P  | W  | T  | Q  |
| 100W<br>(1/8 HP)                            | 3~50 (60~200)     | 1       | 18   | 250 | 285 | 250 | 40  | 110 | 135 | 65  | 9  | 16    | 49   | 10   | 130 | 131 | 88.5 | 120 | 18           | 30 | 5  | 20 | 25 |
|                                             | 60~200            | 2       | 22   | 280 | 320 | 280 | 65  | 130 | 158 | 90  | 11 | 17.65 | 60   | 13   | 130 | 153 | 97.5 | 120 | 22           | 40 | 7  | 25 | 35 |
| 200W<br>(1/4 HP)                            | 3~10 (12.5~90)    | 1       | 18   | 270 | 305 | 290 | 40  | 110 | 135 | 65  | 9  | 16    | 49   | 10   | 130 | 131 | 88.5 | 120 | 18           | 30 | 5  | 20 | 25 |
|                                             | 12.5~90 (100~200) | 2       | 22   | 305 | 340 | 325 | 65  | 130 | 158 | 90  | 11 | 17.65 | 60   | 13   | 130 | 153 | 97.5 | 120 | 22           | 40 | 7  | 25 | 35 |
|                                             | 100~200           | 3       | 28   | 315 | 350 | 335 | 90  | 140 | 180 | 120 | 11 | 24.22 | 66.5 | 16   | 130 | 174 | 116  | 120 | 28           | 45 | 7  | 31 | 40 |
| 400W<br>(1/2 HP)<br>Standard for<br>3-phase | 3~10 (12.5~90)    | 2       | 22   | 325 | 340 | -   | 65  | 130 | 158 | 90  | 11 | 17.65 | 63   | 13   | 130 | 153 | 97.5 | 135 | 22           | 40 | 7  | 25 | 35 |
|                                             | 12.5~90 (100~200) | 3       | 28   | 335 | 350 | -   | 90  | 140 | 180 | 120 | 11 | 24.22 | 68.5 | 16   | 130 | 174 | 116  | 135 | 28           | 45 | 7  | 31 | 40 |
|                                             | 100~200           | 4       | 32   | 380 | 395 | -   | 130 | 170 | 210 | 165 | 12 | 30.22 | 70   | 20   | 130 | 198 | 130  | 135 | 32           | 55 | 10 | 35 | 50 |
| 400W<br>(1/2 HP)<br>Standard for<br>1-phase | 3~10 (12.5~90)    | 2       | 22   | 340 | 350 | 360 | 65  | 130 | 158 | 90  | 11 | 17.65 | 63   | 13   | 162 | 153 | 97.5 | 135 | 22           | 40 | 7  | 25 | 35 |
|                                             | 12.5~90 (100~200) | 3       | 28   | 360 | 370 | 380 | 90  | 140 | 180 | 120 | 11 | 24.22 | 68.5 | 16   | 162 | 174 | 116  | 135 | 28           | 45 | 7  | 31 | 40 |
|                                             | 100~200           | 4       | 32   | 400 | 410 | 415 | 130 | 170 | 210 | 165 | 12 | 30.22 | 70   | 20   | 162 | 198 | 130  | 135 | 32           | 55 | 10 | 35 | 50 |
| 750W<br>(1 HP)                              | (3~25)            | 2       | 22   | 345 | 355 | 380 | 65  | 130 | 158 | 90  | 11 | 17.65 | 60   | 13   | 162 | 153 | 97.5 | 135 | 22           | 40 | 7  | 25 | 35 |
|                                             | 3~25 (30~120)     | 3       | 28   | 370 | 375 | 410 | 90  | 140 | 180 | 120 | 11 | 24.22 | 66.5 | 16   | 162 | 174 | 116  | 135 | 28           | 45 | 7  | 31 | 40 |
|                                             | 30~120 (125~200)  | 4       | 32   | 400 | 410 | 440 | 130 | 170 | 210 | 165 | 12 | 30.22 | 70   | 20   | 162 | 198 | 130  | 135 | 32           | 55 | 10 | 35 | 50 |
|                                             | 125~200           | 5       | 40   | 465 | 465 | 500 | 150 | 210 | 265 | 198 | 15 | 36    | 89   | 24   | 162 | 250 | 160  | 135 | 40           | 65 | 10 | 43 | 60 |
| 1500W<br>(2 HP)                             | (3~30)            | 3       | 28   | 420 | 430 | -   | 90  | 140 | 180 | 120 | 11 | 24.22 | 68.5 | 16   | 192 | 174 | 116  | 135 | 28           | 45 | 7  | 31 | 40 |
|                                             | 3~30 (40~100)     | 4       | 32   | 450 | 450 | 475 | 130 | 170 | 210 | 165 | 13 | 30.22 | 70   | 20   | 192 | 198 | 130  | 146 | 32           | 55 | 10 | 35 | 50 |
|                                             | 40~100 (110~150)  | 5       | 40   | 510 | 510 | 510 | 150 | 210 | 265 | 198 | 15 | 36    | 89   | 24   | 192 | 250 | 160  | 146 | 40           | 65 | 10 | 43 | 60 |
| 2200W<br>(3 HP)                             | 110~180           | 6       | 50   | 560 | 560 | 560 | 170 | 265 | 319 | 238 | 18 | 51    | 120  | 31.5 | 192 | 308 | 200  | 146 | 50           | 80 | 14 | 54 | 75 |
|                                             | 3~40 (45~80)      | 5       | 40   | 530 | 530 | -   | 150 | 210 | 265 | 198 | 15 | 36    | 89   | 24   | 220 | 250 | 160  | 160 | 40           | 65 | 10 | 43 | 60 |
| 3700W<br>(5 HP)                             | 45~100            | 6       | 50   | 580 | 580 | -   | 170 | 265 | 319 | 238 | 18 | 51    | 120  | 31.5 | 220 | 308 | 200  | 160 | 50           | 80 | 14 | 54 | 75 |
|                                             | 3~10 (15~60)      | 5       | 40   | 560 | 560 | -   | 150 | 210 | 265 | 198 | 15 | 36    | 89   | 24   | 220 | 250 | 160  | 160 | 40           | 65 | 10 | 43 | 60 |
|                                             | 15~60             | 6       | 50   | 620 | 620 | -   | 170 | 265 | 319 | 238 | 18 | 51    | 120  | 31.5 | 220 | 308 | 200  | 160 | 50           | 80 | 14 | 54 | 75 |

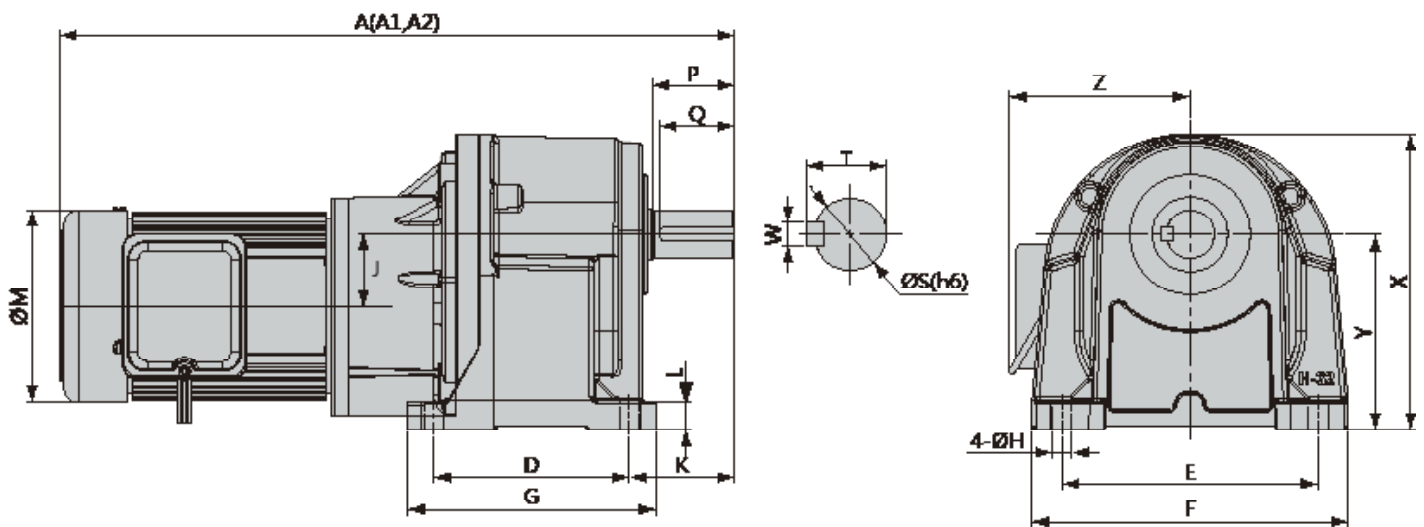
※ Ratio showed in parenthesis ( ) are used for light loading.

NOTES/ (1) A : With 3-phase motors. / A1:With 3-phase brake motors. / A2: With single-phase motors.

(2) Refer to dimension of single-phase brake motor, please contact us.



# LH Horizontal High Ratio Gearmotor



## Dimension (mm)

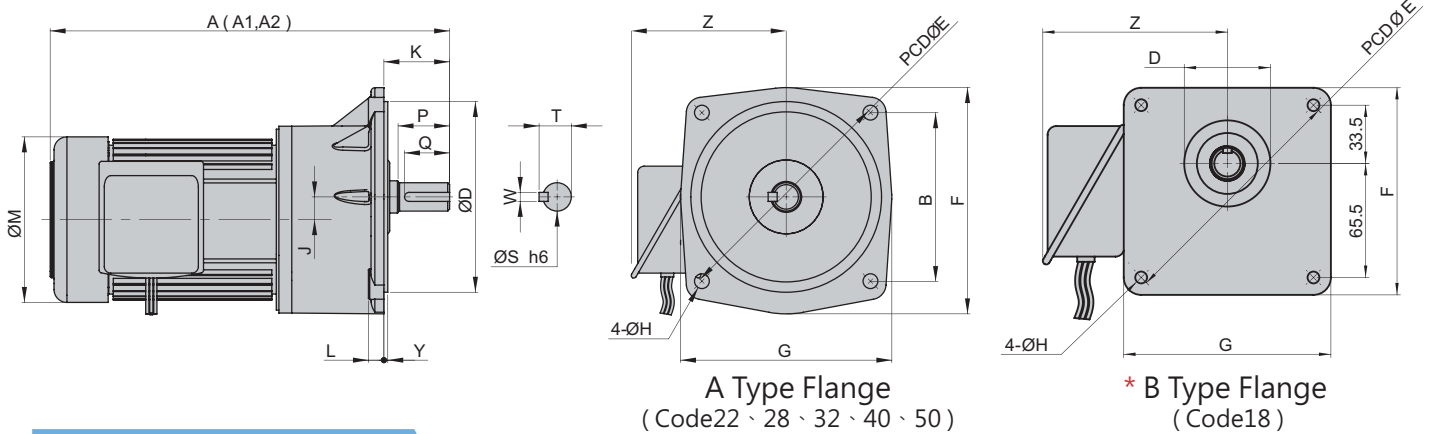
| Output W(HP)                   | Ratio      | Housing | Code | A   | A1  | A2  | D   | E   | F   | G   | H  | J     | K    | L  | M   | X   | Y    | Z   | Output Shaft |    |    |    |    |
|--------------------------------|------------|---------|------|-----|-----|-----|-----|-----|-----|-----|----|-------|------|----|-----|-----|------|-----|--------------|----|----|----|----|
|                                |            |         |      |     |     |     |     |     |     |     |    |       |      |    |     |     |      |     | S            | P  | W  | T  | Q  |
| 100W                           | (250~1800) | 1#+2#   | 22   | 350 | 385 | 350 | 65  | 130 | 158 | 90  | 11 | 33.65 | 63   | 13 | 130 | 153 | 97.5 | 135 | 22           | 40 | 7  | 25 | 35 |
|                                | 250~1800   | 1#+3#   | 28   | 350 | 385 | 350 | 90  | 140 | 180 | 120 | 11 | 40.22 | 68.5 | 16 | 130 | 174 | 116  | 135 | 28           | 45 | 7  | 31 | 40 |
| 200W                           | (250~1800) | 1#+3#   | 28   | 385 | 420 | 405 | 90  | 140 | 180 | 120 | 11 | 40.22 | 68.5 | 16 | 130 | 174 | 116  | 135 | 28           | 45 | 7  | 31 | 40 |
|                                | 250~1800   | 2#+4#   | 32   | 435 | 470 | 455 | 130 | 170 | 210 | 165 | 13 | 47.87 | 70   | 20 | 130 | 198 | 130  | 135 | 32           | 55 | 10 | 35 | 50 |
| 400W<br>(Standard for 3-phase) | (250~1800) | 2#+4#   | 32   | 455 | 470 | 500 | 130 | 170 | 210 | 165 | 13 | 47.87 | 70   | 20 | 130 | 198 | 130  | 135 | 32           | 55 | 10 | 35 | 50 |
|                                | 250~1800   | 3#+5#   | 40   | 510 | 525 | 555 | 150 | 210 | 265 | 198 | 15 | 52.22 | 89   | 24 | 130 | 250 | 162  | 146 | 40           | 65 | 10 | 43 | 60 |
| 400W<br>(Standard for 1-phase) | (250~1800) | 2#+4#   | 32   | 455 | 470 | 500 | 130 | 170 | 210 | 165 | 13 | 47.87 | 70   | 20 | 162 | 198 | 130  | 135 | 32           | 55 | 10 | 35 | 50 |
|                                | 250~1800   | 3#+5#   | 40   | 510 | 525 | 555 | 150 | 210 | 265 | 198 | 15 | 52.22 | 89   | 24 | 162 | 250 | 162  | 146 | 40           | 65 | 10 | 43 | 60 |

※ Ratio showed in parenthesis ( ) are used for light loading.

NOTES/ (1) A : With 3-phase motors. / A1:With 3-phase brake motors. / A2: With single-phase motors.

(2) Refer to dimension of single-phase brake motor, please contact us.

# LV Verital Alloy Gearmotor



## Dimension(mm)

| Output W(HP)                                | Ratio             | Housing | Code | A   | A1  | A2  | B     | D   | E   | F   | G   | H  | J     | K  | L  | M   | Y | Z   | Output Shaft |    |    |    |    |
|---------------------------------------------|-------------------|---------|------|-----|-----|-----|-------|-----|-----|-----|-----|----|-------|----|----|-----|---|-----|--------------|----|----|----|----|
|                                             |                   |         |      |     |     |     |       |     |     |     |     |    |       |    |    |     |   |     | S            | P  | W  | T  | Q  |
| 100W<br>(1/8 HP)                            | 3~50 (60~200)     | 1       | 18*  | 250 | 285 | 250 | -     | 50  | 140 | 119 | 119 | 9  | 16    | 40 | 12 | 130 | - | 120 | 18           | 30 | 5  | 20 | 25 |
|                                             | 60~200            | 2       | 22   | 280 | 320 | 280 | 130.8 | 148 | 185 | 176 | 164 | 11 | 17.65 | 47 | 12 | 130 | 3 | 120 | 22           | 40 | 7  | 25 | 35 |
| 200W<br>(1/4 HP)                            | 3~10 (12.5~90)    | 1       | 18*  | 270 | 305 | 290 | -     | 50  | 140 | 119 | 119 | 9  | 16    | 40 | 12 | 130 | - | 120 | 18           | 30 | 5  | 20 | 25 |
|                                             | 12.5~90 (100~200) | 2       | 22   | 305 | 340 | 325 | 130.8 | 148 | 185 | 176 | 164 | 11 | 17.65 | 47 | 12 | 130 | 3 | 120 | 22           | 40 | 7  | 25 | 35 |
|                                             | 100~200           | 3       | 28   | 315 | 350 | 335 | 155.6 | 170 | 220 | 216 | 216 | 11 | 24.22 | 60 | 15 | 130 | 6 | 120 | 28           | 45 | 7  | 31 | 40 |
| 400W<br>(1/2 HP)<br>Standard for<br>3-phase | 3~10 (12.5~90)    | 2       | 22   | 325 | 340 | -   | 130.8 | 148 | 185 | 176 | 164 | 11 | 17.65 | 50 | 12 | 130 | 3 | 135 | 22           | 40 | 7  | 25 | 35 |
|                                             | 12.5~90 (100~200) | 3       | 28   | 335 | 350 | -   | 155.6 | 170 | 220 | 216 | 216 | 11 | 24.22 | 60 | 15 | 130 | 6 | 135 | 28           | 45 | 7  | 31 | 40 |
|                                             | 100~200           | 4       | 32   | 400 | 410 | -   | 180.3 | 185 | 255 | 241 | 225 | 13 | 30.22 | 65 | 15 | 130 | 4 | 135 | 32           | 55 | 10 | 35 | 50 |
|                                             | (3~25)            | 2       | 22   | 340 | 350 | 370 | 130.8 | 148 | 185 | 176 | 164 | 11 | 17.65 | 50 | 12 | 162 | 3 | 135 | 22           | 40 | 7  | 25 | 35 |
| 400W<br>(1/2 HP)<br>Standard for<br>1-phase | 3~10 (12.5~90)    | 2       | 22   | 340 | 350 | 370 | 130.8 | 148 | 185 | 176 | 164 | 11 | 17.65 | 50 | 12 | 162 | 3 | 135 | 22           | 40 | 7  | 25 | 35 |
|                                             | 12.5~90 (100~200) | 3       | 28   | 360 | 370 | 380 | 155.6 | 170 | 220 | 216 | 216 | 11 | 24.22 | 60 | 15 | 162 | 6 | 135 | 28           | 45 | 7  | 31 | 40 |
|                                             | 100~200           | 4       | 32   | 400 | 410 | 450 | 180.3 | 185 | 255 | 241 | 225 | 13 | 30.22 | 65 | 15 | 162 | 4 | 135 | 32           | 55 | 10 | 35 | 50 |
|                                             | (3~25)            | 2       | 22   | 345 | 355 | 400 | 130.8 | 148 | 185 | 176 | 164 | 11 | 17.65 | 47 | 12 | 162 | 3 | 135 | 22           | 40 | 7  | 25 | 35 |
| 750W<br>(1 HP)                              | 3~25 (30~120)     | 3       | 28   | 360 | 370 | 410 | 155.6 | 170 | 220 | 216 | 216 | 11 | 24.22 | 60 | 15 | 162 | 6 | 135 | 28           | 45 | 7  | 31 | 40 |
|                                             | 30~120 (125~200)  | 4       | 32   | 400 | 410 | 450 | 180.3 | 185 | 255 | 241 | 225 | 13 | 30.22 | 65 | 15 | 162 | 4 | 135 | 32           | 55 | 10 | 35 | 50 |
|                                             | 125~200           | 5       | 40   | 465 | 465 | 500 | 219.3 | 230 | 310 | 291 | 272 | 15 | 36    | 85 | 21 | 162 | 5 | 135 | 40           | 65 | 10 | 43 | 60 |
| 1500W<br>(2 HP)                             | (3~30)            | 3       | 28   | 420 | 430 | -   | 155.6 | 170 | 220 | 216 | 216 | 11 | 24.22 | 60 | 15 | 192 | 6 | 135 | 28           | 45 | 7  | 31 | 40 |
|                                             | 3~30 (40~100)     | 4       | 32   | 460 | 465 | 450 | 180.3 | 185 | 255 | 241 | 225 | 13 | 30.22 | 65 | 15 | 192 | 4 | 146 | 32           | 55 | 10 | 35 | 50 |
|                                             | 40~100 (110~150)  | 5       | 40   | 510 | 510 | 510 | 219.3 | 230 | 310 | 291 | 272 | 15 | 36    | 85 | 21 | 192 | 5 | 146 | 40           | 65 | 10 | 43 | 60 |
| 2200W<br>(3 HP)                             | 110~180           | 6       | 50   | 560 | 560 | 560 | 275.8 | 280 | 390 | 369 | 341 | 18 | 51    | 92 | 25 | 192 | 5 | 146 | 50           | 80 | 14 | 54 | 75 |
|                                             | 3~40 (45~80)      | 5       | 40   | 530 | 530 | -   | 219.3 | 230 | 310 | 291 | 272 | 15 | 36    | 85 | 21 | 220 | 5 | 160 | 40           | 65 | 10 | 43 | 60 |
|                                             | 45~100            | 6       | 50   | 580 | 580 | -   | 275.8 | 280 | 390 | 369 | 341 | 18 | 51    | 92 | 25 | 220 | 5 | 160 | 50           | 80 | 14 | 54 | 75 |
| 3700W<br>(5 HP)                             | 3~10 (15~60)      | 5       | 40   | 560 | 560 | -   | 219.3 | 230 | 310 | 291 | 272 | 15 | 36    | 85 | 21 | 220 | 5 | 160 | 40           | 65 | 10 | 43 | 60 |
|                                             | 15~60             | 6       | 50   | 620 | 620 | -   | 275.8 | 280 | 390 | 369 | 341 | 18 | 51    | 92 | 25 | 220 | 5 | 160 | 50           | 80 | 14 | 54 | 75 |

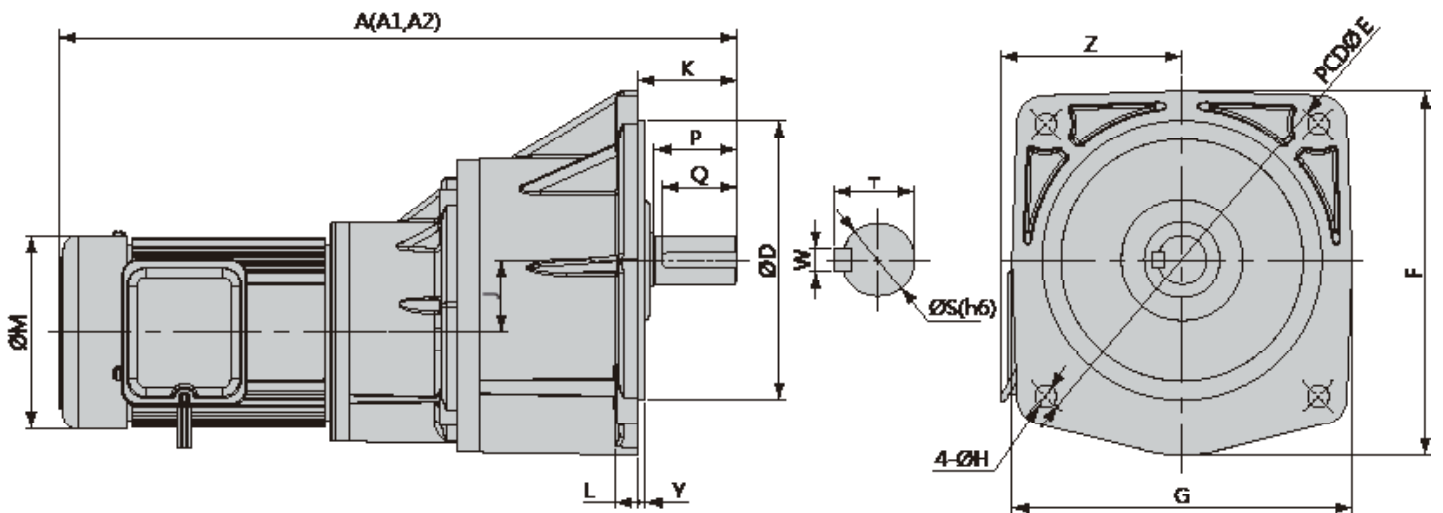
\* Code 18 : Belongs to B type flange.

※ Ratio showed in parenthesis ( ) are used for light loading.

NOTES/ (1) A : With 3-phase motors. / A1:With 3-phase brake motors. / A2: With single-phase motors.

(2) Refer to dimension of single-phase brake motor, please contact us.

# LV Vertical High Ratio Gearmotor



Dimension (mm)

| Output W(HP)                   | Ratio      | Housing | Code | A   | A1  | A2  | D   | E   | F   | G   | H  | J     | K  | L  | M   | Y | Z   | Output Shaft |    |    |    |    |
|--------------------------------|------------|---------|------|-----|-----|-----|-----|-----|-----|-----|----|-------|----|----|-----|---|-----|--------------|----|----|----|----|
|                                |            |         |      |     |     |     |     |     |     |     |    |       |    |    |     |   |     | S            | P  | W  | T  | Q  |
| 100W                           | (250~1800) | 1#+2#   | 22   | 350 | 385 | 350 | 148 | 185 | 176 | 164 | 11 | 33.65 | 50 | 12 | 130 | 3 | 135 | 22           | 40 | 7  | 25 | 35 |
|                                | 250~1800   | 1#+3#   | 28   | 350 | 385 | 350 | 170 | 220 | 216 | 216 | 11 | 40.22 | 60 | 15 | 130 | 6 | 135 | 28           | 45 | 7  | 31 | 40 |
| 200W                           | (250~1800) | 1#+3#   | 28   | 385 | 420 | 405 | 170 | 220 | 216 | 216 | 11 | 40.22 | 60 | 15 | 130 | 6 | 135 | 28           | 45 | 7  | 31 | 40 |
|                                | 250~1800   | 2#+4#   | 32   | 435 | 470 | 455 | 185 | 255 | 241 | 225 | 13 | 47.87 | 65 | 15 | 130 | 4 | 135 | 32           | 55 | 10 | 35 | 50 |
| 400W<br>(Standard for 3-phase) | (250~1800) | 2#+4#   | 32   | 455 | 470 | 500 | 185 | 255 | 241 | 225 | 13 | 47.87 | 65 | 15 | 130 | 4 | 135 | 32           | 55 | 10 | 35 | 50 |
|                                | 250~1800   | 3#+5#   | 40   | 510 | 525 | 555 | 230 | 310 | 291 | 272 | 15 | 52.22 | 85 | 21 | 130 | 5 | 135 | 40           | 65 | 10 | 43 | 60 |
| 400W<br>(Standard for 1-phase) | (250~1800) | 2#+4#   | 32   | 455 | 470 | 500 | 185 | 255 | 241 | 225 | 13 | 47.87 | 65 | 15 | 162 | 4 | 135 | 32           | 55 | 10 | 35 | 50 |
|                                | 250~1800   | 3#+5#   | 40   | 510 | 525 | 555 | 230 | 310 | 291 | 272 | 15 | 52.22 | 85 | 21 | 162 | 5 | 135 | 40           | 65 | 10 | 43 | 60 |

※ Ratio showed in parenthesis ( ) are used for light loading.

NOTES/ (1) A : With 3-phase motors. / A1:With 3-phase brake motors. / A2: With single-phase motors.

(2) Refer to dimension of single-phase brake motor, please contact us.

# Specification

## Specification of Motor and Brake

| Phase           | Output (W/HP) | Pole | Voltage | Hz    | Rating    |               |               | Class | Kgfm | 釋放時間      |           | 調整間隙            |                | 附安全剎車器        |                      |                 |
|-----------------|---------------|------|---------|-------|-----------|---------------|---------------|-------|------|-----------|-----------|-----------------|----------------|---------------|----------------------|-----------------|
|                 |               |      |         |       | RPM       | Current (AMP) | Torque (Kg-m) |       |      | AC Switch | DC Switch | Specified Value | Boundary Value | Brake Voltage | Input Voltage        | Operation Times |
| Three Phase 3Ø  | 100W(1/8 HP)  | 4P   | 220/380 | 60/50 | 1680/1380 | 0.8/0.46      | 0.057/0.07    | F     | 0.1  | 0.1       | 0.06      | 0.3             | 0.7            | DC90V         | AC 200-240V          | 10times /min    |
|                 | 200W(1/4 HP)  |      | 220/380 | 60/50 | 1680/1380 | 1.2/0.7       | 0.116/0.142   | F     | 0.2  | 0.07      | 0.03      | 0.3             | 0.7            |               |                      |                 |
|                 | 400W(1/2 HP)  |      | 220/380 | 60/50 | 1680/1400 | 2.1/1.2       | 0.231/0.277   | F     | 0.4  | 0.10      | 0.03      | 0.3             | 0.7            |               |                      |                 |
|                 | 750W(1 HP)    |      | 220/380 | 60/50 | 1680/1400 | 3.6/2.1       | 0.43/0.52     | F     | 0.8  | 0.12      | 0.05      | 0.4             | 1.0            |               |                      |                 |
|                 | 1500W(2 HP)   |      | 220/380 | 60/50 | 1680/1420 | 6.1/3.5       | 0.87/1.03     | F     | 1.6  | 0.14      | 0.05      | 0.4             | 1.0            |               |                      |                 |
|                 | 2200W(3 HP)   |      | 220/380 | 60/50 | 1680/1420 | 9.5/5.5       | 1.26/1.50     | F     | 2.5  | 0.15      | 0.03      | 0.4             | 1.0            |               |                      |                 |
| Single Phase 1Ø | 100W(1/8 HP)  | 4P   | 110/220 | 60/50 | 1680/1380 | 2/1           | 0.057/0.07    | F     | 0.1  | 0.1       | 0.06      | 0.3             | 0.7            | DC90V         | AC 100-110V 200-240V | 10times /min    |
|                 | 200W(1/4 HP)  |      | 110/220 | 60/50 | 1680/1380 | 4/2           | 0.116/0.142   | F     | 0.2  | 0.07      | 0.03      | 0.3             | 0.7            |               |                      |                 |
|                 | 400W(1/2 HP)  |      | 110/220 | 60/50 | 1680/1400 | 8/4           | 0.232/0.278   | F     | 0.4  | 0.10      | 0.03      | 0.3             | 0.7            |               |                      |                 |
|                 | 750W(1 HP)    |      | 110/220 | 60/50 | 1680/1400 | 12/6          | 0.43/0.52     | F     | 0.8  | 0.12      | 0.15      | 0.4             | 1.0            |               |                      |                 |

## Output Specification of Reducer

| Ratio | Output RPM |      | 100W (1/8 HP)                   |      |       | 200W (1/4 HP)                   |      |       | 400W (1/2 HP)                   |      |       | 750W (1 HP)                     |       |       | 1500W (2 HP)                    |       |       | 2200W (3 HP)                    |      |       |
|-------|------------|------|---------------------------------|------|-------|---------------------------------|------|-------|---------------------------------|------|-------|---------------------------------|-------|-------|---------------------------------|-------|-------|---------------------------------|------|-------|
|       | 50Hz       | 60Hz | Output shaft permissible torque |      |       | Output shaft permissible torque |      |       | Output shaft permissible torque |      |       | Output shaft permissible torque |       |       | Output shaft permissible torque |       |       | Output shaft permissible torque |      |       |
|       |            |      | 50Hz                            | 60Hz | O.H.L | 50Hz                            | 60Hz | O.H.L | 50Hz                            | 60Hz | O.H.L | 50Hz                            | 60Hz  | O.H.L | 50Hz                            | 60Hz  | O.H.L | 50Hz                            | 60Hz | O.H.L |
| 3     | 500        | 600  | 0.2                             | 0.17 | 30    | 0.38                            | 0.31 | 30    | 0.71                            | 0.6  | 54    | 1.29                            | 1.11  | 62    | 2.60                            | 2.21  | 135   | 3.8                             | 3.19 | 155   |
| 5     | 300        | 360  | 0.32                            | 0.27 | 60    | 0.61                            | 0.5  | 60    | 1.15                            | 1    | 90    | 2.25                            | 1.85  | 130   | 4.81                            | 3.5   | 180   | 6.55                            | 5.48 | 220   |
| 10    | 150        | 180  | 0.62                            | 0.51 | 90    | 1.2                             | 1    | 90    | 2.5                             | 2.1  | 120   | 4.6                             | 3.9   | 180   | 8.8                             | 7.1   | 250   | 13.2                            | 10.7 | 320   |
| 12.5  | 120        | 144  | 0.77                            | 0.66 | 100   | 1.54                            | 1.24 | 100   | 3.1                             | 2.5  | 130   | 5.7                             | 4.9   | 190   | 11                              | 8.9   | 290   | 16.5                            | 13.3 | 340   |
| 15    | 100        | 120  | 0.93                            | 0.77 | 100   | 1.85                            | 1.5  | 100   | 3.7                             | 2.9  | 140   | 6.9                             | 5.8   | 220   | 13.2                            | 10.7  | 290   | 19.8                            | 16   | 360   |
| 20    | 75         | 90   | 1.2                             | 1    | 120   | 2.47                            | 1.99 | 120   | 4.94                            | 4    | 150   | 9.3                             | 7.7   | 240   | 17.6                            | 14.2  | 330   | 26.5                            | 21.4 | 410   |
| 25    | 60         | 72   | 1.5                             | 1.3  | 130   | 3                               | 2.49 | 130   | 6.17                            | 4.9  | 170   | 11.6                            | 9.6   | 250   | 22.1                            | 17.8  | 390   | 33.1                            | 26.7 | 480   |
| 30    | 50         | 60   | 1.8                             | 1.4  | 140   | 3.6                             | 2.98 | 180   | 7.4                             | 5.87 | 260   | 13.85                           | 11.55 | 410   | 26.4                            | 21.3  | 520   | 39.65                           | 32   | 710   |
| 40    | 37.5       | 45   | 2.4                             | 2    | 150   | 4.94                            | 3.99 | 190   | 9.88                            | 7.98 | 290   | 17.9                            | 14.9  | 430   | 35.3                            | 28.5  | 600   | 53                              | 42.8 | 740   |
| 50    | 30         | 36   | 3                               | 2.5  | 160   | 6.17                            | 4.98 | 200   | 12.3                            | 9.97 | 320   | 22.4                            | 18.7  | 470   | 44.2                            | 35.7  | 720   | 66.3                            | 53.3 | 880   |
| 60    | 25         | 30   | 3.6                             | 3    | 220   | 7.4                             | 5.98 | 220   | 14.8                            | 11.9 | 350   | 26.9                            | 22.4  | 560   | 53                              | 42.8  | 720   | 79.5                            | 64.2 | 1000  |
| 70    | 22         | 26   | 4.3                             | 3.6  | 220   | 7.9                             | 6.9  | 220   | 16.5                            | 13.6 | 350   | 31.7                            | 26.5  | 560   | 62.6                            | 52.1  | 720   | 92.6                            | 77.3 | 1000  |
| 75    | 20         | 24   | 4.6                             | 3.7  | 220   | 9.2                             | 7.5  | 220   | 18.5                            | 14.9 | 350   | 35.1                            | 28.3  | 560   | 66.3                            | 53.5  | 720   | 99.4                            | 80.3 | 1000  |
| 80    | 18.7       | 22.5 | 4.9                             | 4.1  | 220   | 9.4                             | 7.9  | 220   | 18.4                            | 15.5 | 350   | 35.4                            | 29.8  | 560   | 70.9                            | 59.5  | 720   | 105.1                           | 87.7 | 1000  |
| 90    | 16.6       | 20   | 5.4                             | 4.4  | 250   | 11                              | 8.9  | 250   | 22.1                            | 17.8 | 350   | 42                              | 33.95 | 600   | 79.4                            | 64.1  | 720   |                                 |      |       |
| 100   | 15         | 18   | 6                               | 5    | 250   | 12.3                            | 9.9  | 250   | 24.7                            | 19.9 | 350   | 46.8                            | 37.8  | 600   | 88.4                            | 71.4  | 720   |                                 |      |       |
| 120   | 12.5       | 15   | 7.2                             | 6    | 250   | 14.8                            | 11.9 | 340   | 29.6                            | 23.9 | 600   | 58.4                            | 47.3  | 720   | 106                             | 85.6  | 1000  |                                 |      |       |
| 150   | 10         | 12   | 9.1                             | 7.4  | 250   | 18.4                            | 14.8 | 350   | 36.9                            | 29.8 | 600   | 70.1                            | 56.6  | 720   | 132.5                           | 107   | 1000  |                                 |      |       |
| 180   | 8.3        | 10   | 11                              | 9    | 250   | 22.2                            | 17.9 | 350   | 44.4                            | 35.9 | 600   | 84.2                            | 68    | 720   | 132.6                           | 107.1 | 1000  |                                 |      |       |
| 200   | 7.5        | 9    | 11.9                            | 10   | 250   | 24.7                            | 19.9 | 350   | 49.4                            | 39.9 | 600   | 93.6                            | 75.6  | 720   |                                 |       |       |                                 |      |       |

※ Above data is for reference only. Any changes will not be noticed.