

Explosion Proof Pressure Transmitter

Model: PT124B-282 (Intelligent type)



Description

PT124B-282 intelligent pressure transmitter adopted compensation technology of digital circuit, the output is 4-20mA, with HART optional, stainless steel sealed construction with LCD display, suitable for all kinds of industrial process measuring and controlling.

Application

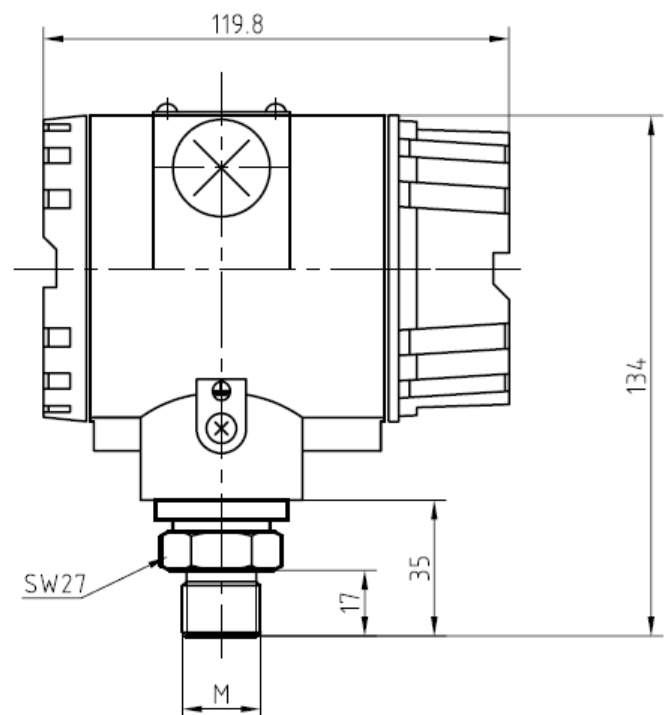
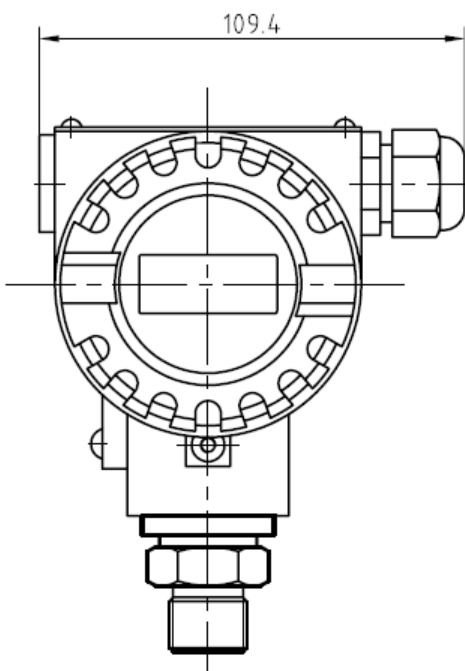
- ◆ Petroleum and chemical
- ◆ Seam flow
- ◆ Hydraulic controlling

Feature

- ◆ Digital circuit compensation technology
- ◆ Intrinsically safe
- ◆ High accuracy, high stability
- ◆ Explosion proof shell with LCD display
- ◆ Output is 4-20mA, and load HART protocol



Dimension



Remarks: Above dimension only for reference, we can tailor the product as you required.

Specification

Range	0...50mbar to 0...1000bar
Accuracy	0.25%FS, 0.5%FS
Linear	0.02%FS
Over pressure	150%FS
Output	4-20mA, HART optional
Input voltage	24(12-36V)DC
Operation temperature	-40°C~125°C
Temperature compensation	-10°C~70°C
Explosion class	ExibII CT4
Electric connector	Terminal block
Process connector	M20x1.5, clamp, flange (optional)

Wiring Code

Remove the LCD display part, and then you will see there are terminals inside as below, please connect cables according to the wiring code.



Wiring Code

Terminal OUT+ Power Red
 Terminal OUT- Signal Black
 Terminal TEST +
 Terminal TEST -

Remarks: The TEST just for current testing purpose if necessary.

Order Guide

Model	Range(bar)	Output	Process connection	Electric connection	Other requirement
PT124B-282	---	---	---	---	---

Example: PT124B-282-100bar-4/20mA-M20*1.5-Direct shield cable

Shanghai Zhaohui Pressure Apparatus Co., Ltd

5-6F No.8 Building No.115 ,Lane 1276 Nanle Road
 Songjiang District Shanghai 201600 China
 Tel:+86-21-51691919 67755189 Fax:+86-21-67755185
 E-mail: info@zhyqsensor.com
 www.zhyqsensor.com

