

Level Transmitter

Model: PT124B-224 (Corrosion proof type)



Description

PT124B-224 series capacitive level transmitter is newly designed model for level measuring in our company. It can convert various changes of level into standard current signal, so as to transferring to the operating control room and so as for instrument's or computer device's converging display, alarm or auto-control. With excellent construction and installation mode, this series is suitable for continuous level measuring in special conditions under high pressure, strong corrosion, easy-to-crystallization, easy-to-clogging, freeze protecting and etc..

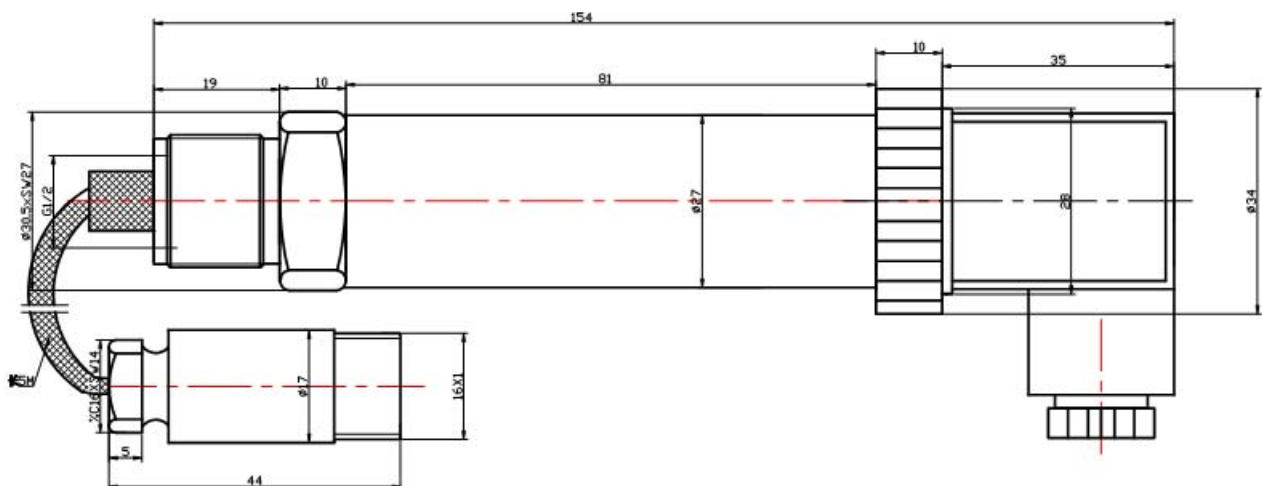
Application

- ◆ Chemical
- ◆ Sewage treatment and so on
- ◆ Pressure chilled water-cooling
- ◆ Process control waste digesters

Feature

- ◆ Simple construction and high reliability
- ◆ Various signal output
- ◆ Strong corrosion proof

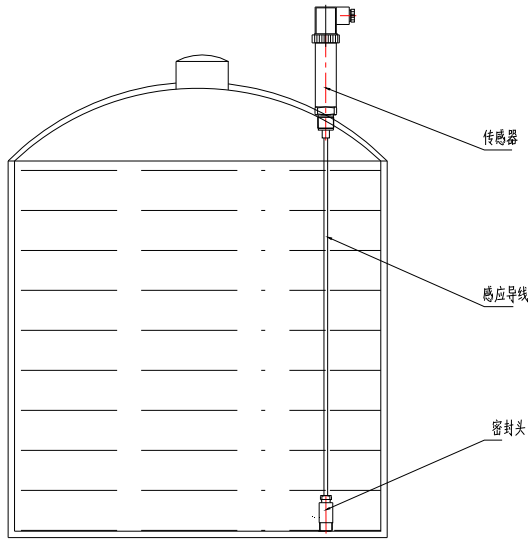
Dimension



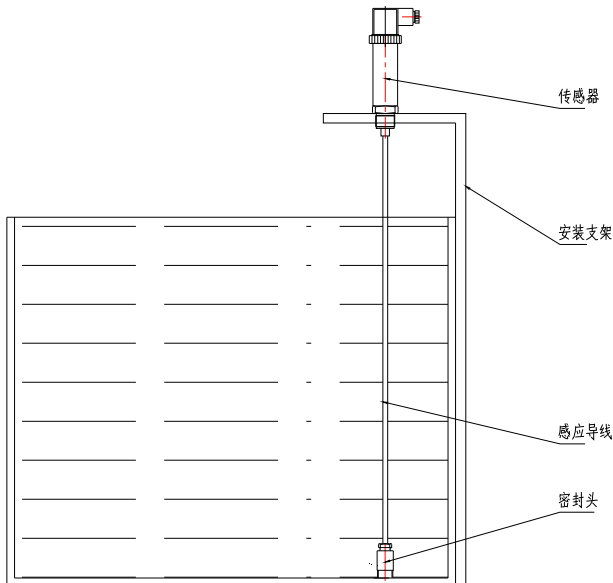
Specification

Range:	0 to 50mH ₂ O
Accuracy:	0.5%FS, 1.0%FS
Output:	0-10V; 0-5V ; 1-5V; 4-20mA,
Input Voltage:	24VDC
Operating Temperature:	-40°C~80°C
Temperature compensation:	-10°C~60°C
Over Pressure:	150%FS
House Material:	316LSS, Ta, Teflon (PTFE)
Cable Material:	Teflon
Electric Connector:	DIN43650
Process Connector:	G1/2, 1/2NPT, M14*1.5(Optional)

Mounting

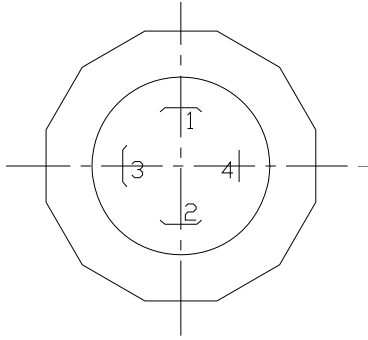


Mount with flange or screw thread on the closed container



Mount with screw thread on the opened container

Wiring Code



Signal Output	4-20mA (2 Wires)		0-5V, 0.5-4.5V,1-5V (3 Wires)	
Wiring Code	1	Input +	1	Input +
	2	Input -	2	Input/output -
	3	None	3	Output +
	4	Ground	4	Ground
Remarks: Above wiring connector is the standard type, if you need the special wiring, please contact with the company at first.				

Ordering Guide

Model	Range	Output	Process Connection	Electric Connection	Other requirement
PT124B-224	---	---	---	---	---
Example: PT124B-224-3mH20-4/20mA					

Shanghai Zhaohui Pressure Apparatus Co.,Ltd.

5-6F No.8 Building No.115 ,Lane 1276 Nanle Road Songjiang District Shanghai 201600 China
 Tel:+86-21-51691919 67755189 Fax:+86-21-67755185
 E-mail: info@zhyqsensor.com
 www.zhyqsensor.com

