

Level Transmitter

Model: PT124B-223 (Plug and play)



Description

PT124B-223 (Quick socketed type) Adopts digital circuit compensated technology, with the advantages of high accuracy, high stability, small volume. The digital signal output designed directly by ZHYQ, this model adopts ZAC wire one-wire serial interface, suitable for liquid pressure measuring and controlling for water monitoring, sewage treatment and other industrial process.



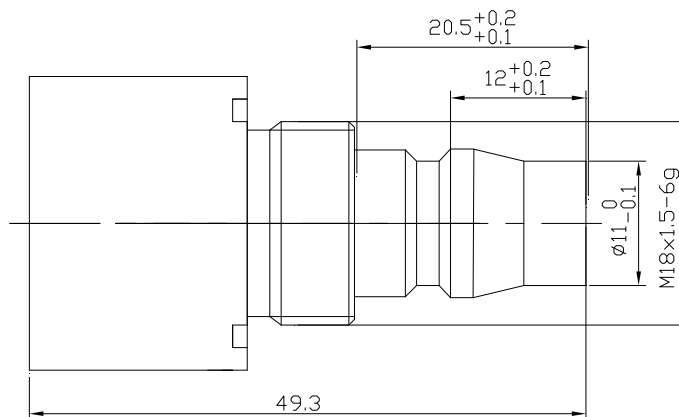
Application

- ◆ Petroleum, Metallurgy, Irrigation works
- ◆ City water-supplying system
- ◆ Hydrology prospection

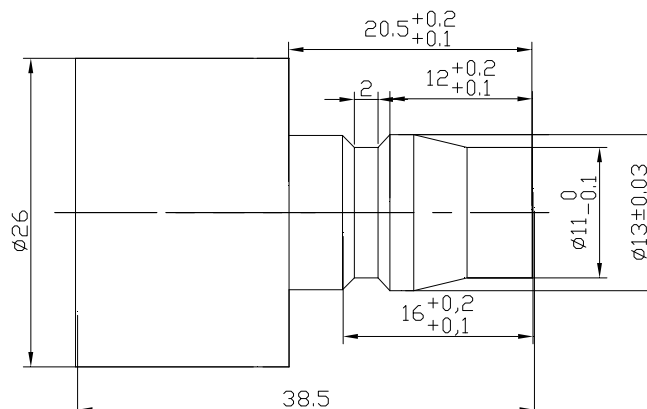
Feature

- ◆ Digital circuit compensated technology
- ◆ Corrosion proof, moist proof, leakage proof
- ◆ High accuracy, sound stability
- ◆ Small volume (plug and play)
- ◆ Digital signal output

Dimension



Drawing 1

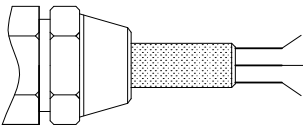


Drawing 2

Specification

Range:	0.5mH ₂ O, 1mH ₂ O, 3mH ₂ O, 5mH ₂ O, 10mH ₂ O, 15mH ₂ O, 20mH ₂ O, 30mH ₂ O, 50mH ₂ O, 100mH ₂ O;
Accuracy:	0.25%FS
Output:	Digital signal, simulant signal for option 4-20mA, 0-5V, 0.5-4.5V
Input voltage:	2.7~5.5VDC, 8~30VDC
Work current:	About 1mA
Response:	1mS (Typical)
Power:	5mW @DC5V (Typical)
Stability:	0.2%FS/y
Operating Temperature:	-40~125°C
Compensated temperature:	0~80°C
Overload pressure:	150%FS
Medium material:	stainless steel
Electric connector:	Cable
Protection class:	IP65

Electric Connection

	Proportion Voltage Output	
	Function	Color
	E+	Red
	S+	Blue
	E-/S-	Yellow
	---	---

Ordering Guide

Model	Range(mH ₂ O)	Output	Cable length	Other requirement
PT124B-223	---	---	---	---
Example: PT124B-223-20m H ₂ O -4/20mA-25m cable				

Shanghai Zhaohui Pressure Apparatus Co., Ltd

5-6F No.8 Building No.115 ,Lane 1276 Nanle Road Songjiang District Shanghai 201600 China
 Tel:+86-21-51691919 67755189 Fax:+86-21-67755185
 E-mail: info@zhyqsensor.com
 www.zhyqsensor.com

