

Diaphragm Pressure Gauge

Model: PT124Y-623 (Clamp)



Description

PT124Y-623 adopts high performance imported bourdon tube, designed with special shockproof configuration, special clamp mounting structure, high pressure endurance, make it is suitable for the process pressure measuring of many machineries, such as homogenizer, petroleum and chemistry equipment and food machinery.

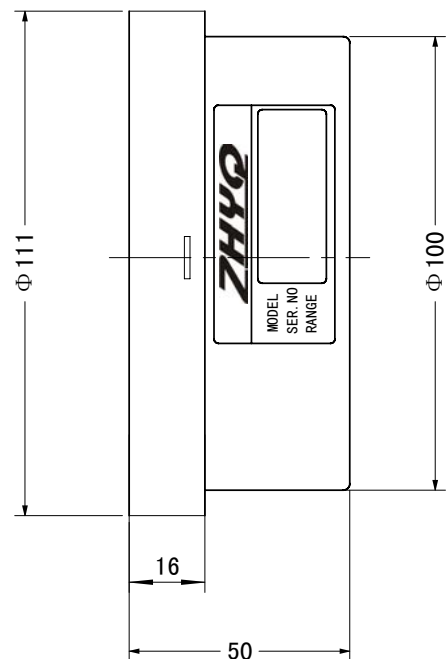
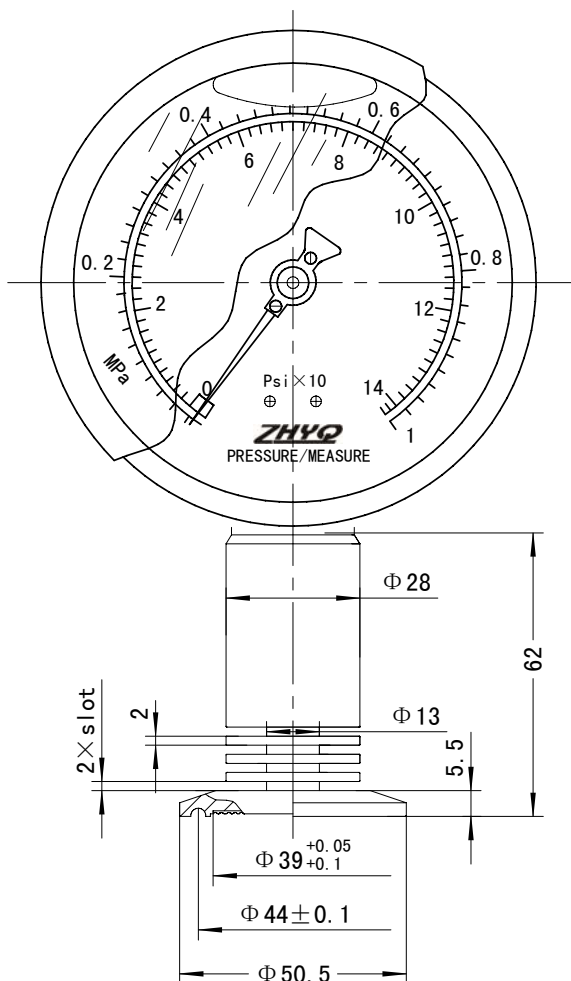
Application

- ◆ Petroleum and chemistry equipment
- ◆ Fiber equipment
- ◆ Medical equipment
- ◆ Food machinery

Feature

- ◆ Mechanical design
- ◆ To install easily
- ◆ Good shockproof and corrosion prevention
- ◆ High reliability and good performance

Dimension



PT124Y-623

ZHYQ Sensor&Control

Page 1 of 2

Specification

Range	0...6bar to 0...600bar
Accuracy	±1.6%FS
Configuration	Bourdon tube
Over Pressure	1.5xFS
Max Diaphragm Temperature	125°C
Dial Diameter	100mm
Process Connection	Clamp (Optional)

Mounting hole

<p>Planar Sealed</p>	D1	M22×1.5	M28×1.5	G3/4"	PT3/8"
	D2	Φ16.1	Φ18.3	Φ18.3	Φ10.3
	D3	Φ20.1	Φ26.1	Φ24.2	Φ14.9
	M	Φ23	Φ30	Φ21	Φ11
	A	11	12	12	14
	B	12	15	15	19
	C	40	35	35	40
<p>45° Slope Sealed</p>	D1	M12×1.5	M14×1.5	1/2-20UNF	M18×1.5
	D2	Φ8	Φ8	Φ8	Φ10.1
	D3	Φ10.8	Φ12.5	Φ11.5	Φ16.1
	D4	Φ12.5	Φ14.5	Φ13.1	Φ20
	A	6	6	6	6.5
	B	9	9.5	9.5	10

Ordering Guide

Model	Range	Output	Process connection	Other requirement
PT124Y-623	---	none	---	---
Example: PT124Y-623-700Bar-Clamp				

Shanghai Zhaohui Pressure Apparatus Co., Ltd

5-6F No.8 Building No.115 ,Lane 1276 Nanle Road,
 Songjiang District Shanghai 201600 China
 Tel:+86-21-51691919 67755189 Fax:+86-21-67755185
 E-mail: info@zhyqsensor.com
 www.zhyqsensor.com

