

# Industrial Pressure Transmitter

Model: PT124B-215 (Explosion proof)



## Description

With stainless steel welding encapsulated component and lightning proof isolation device, PT124B-215 (Explosion Proof: EXiallCT4-6) has the character of corrosion proof, wide range temperature compensation, excellent linearity and diversifying output signal. This series can be suitable for liquid pressure measuring for explosion proof in automatization fields.



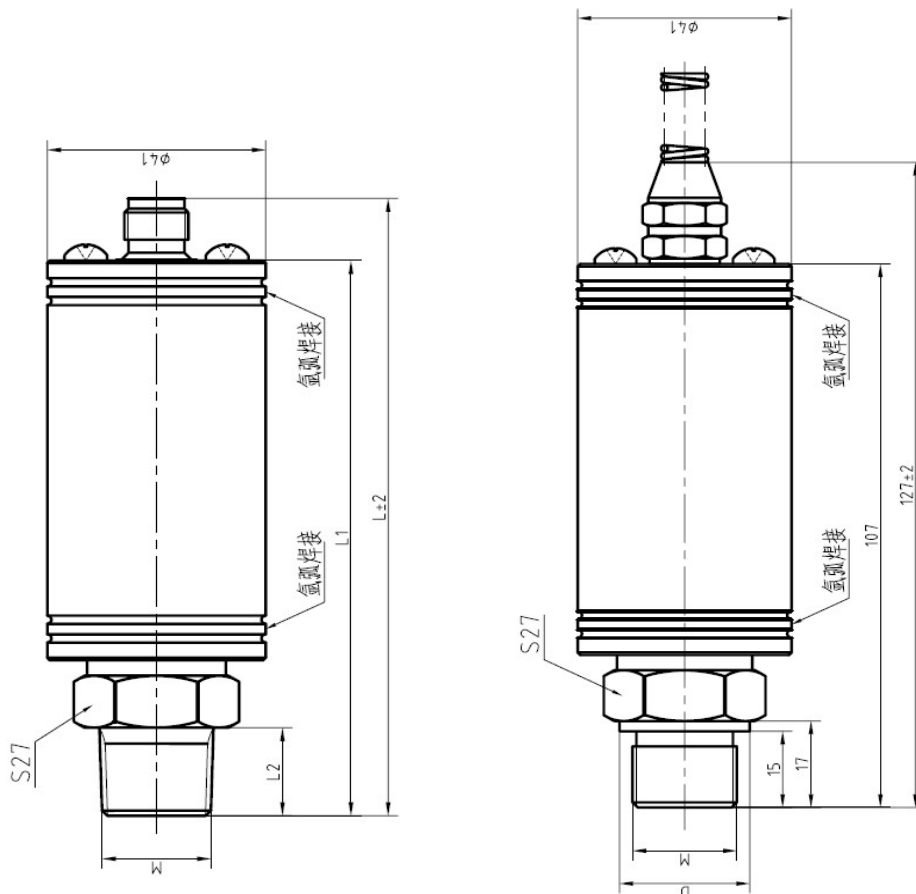
## Application

- ◆ Mechanical Engineering Industry
- ◆ Hydraulic and level measurement
- ◆ Gas tank pressure monitoring
- ◆ Industrial test and control
- ◆ General industrial applications

## Feature

- ◆ Pressure Range: 0...0.2bar to 0...600bar available
- ◆ Various standard Industrial signal output
- ◆ All stainless steel and anticorrosive
- ◆ Stronger anti-jamming ability
- ◆ High stability & high sensitivity
- ◆ Intrinsically safe & explosion proof construction

## Dimension



**Specification**

Range	0....1to 0....600bar
Accuracy	0.25%FS; 0.5%FS
Nonlinearity	0.2%FS
Reliability	0.05%FS
Output	4-20mA ( 2 Wire ) , 0-5V; 0.5-4.5V
Input voltage	24(12~36)VDC (Amplify signal)
Work Temperature Range	-40~80℃
Compensated temp range	0~70℃
Overload pressure	150%FS
Medium material	stainless steel
Electric connection	Hirschman ( DIN, M12 & 4 PIN, Bendix connector, cable customer design )
Pressure connection	G1/4, G1/2, 1/2NPT, 1/4NPT, M12*1.5,etc ( Customer design )

**Electric Connection**

Electric connector	2 wire(4-20mA)			3 wire (0-10V, 0-5V, 0.5-4.5V)		
<b>Hirschman</b> 	Pin	Function	Color	Pin	Function	Color
	1	E+/S+	Red	1	E+	Red
	2	E-/S-	Black	2	S+	Blue
	3	---	---	3	E-/S-	Black
<b>M12,4Pin</b> 	Pin	Function	Color	Pin	Function	Color
	1	E+	Brown	1	E+	Brown
	2	---	---	2	---	---
	3	E+	Blue	3	S+	Blue
	4	---	---	4	E-/S-	White
<b>Cable</b> 	Function	Color	Function	Color		
	E+	Red	E+	Red		
	S+	Black	S+	Blue		
	---	---	E-/S-	White		

**Ordering Guide**

Model	Range(bar)	Output	Screw Thread	Electric connection	Other requirement
PT124B-215	---	---	---	---	---

Example: PT124B-215-50Bar-4/20mA-G1/2- M12

**Shanghai Zhaohui Pressure Apparatus Co., Ltd.**

5-6F No.8 Building No.115, Lane 1276 Nanle Road Songjiang District Shanghai 201600 China  
 Tel:+86-21-51691919 67755189 Fax:+86-21-67755185  
 E-mail: info@zhyqsensor.com  
 www.zhyqsensor.com

