

Savant FS-6600 Flow Sensor

SAVANT ELECTRONICS INC.

1670-3, Sec. 1, Huanzhong road, Taichung 40761, Taiwan

Tel : 886 4 2425 5578 Fax : 886 4 2425 0396

Email : savantco@ms65.hinet.net

Website : digisavant.com

Features :

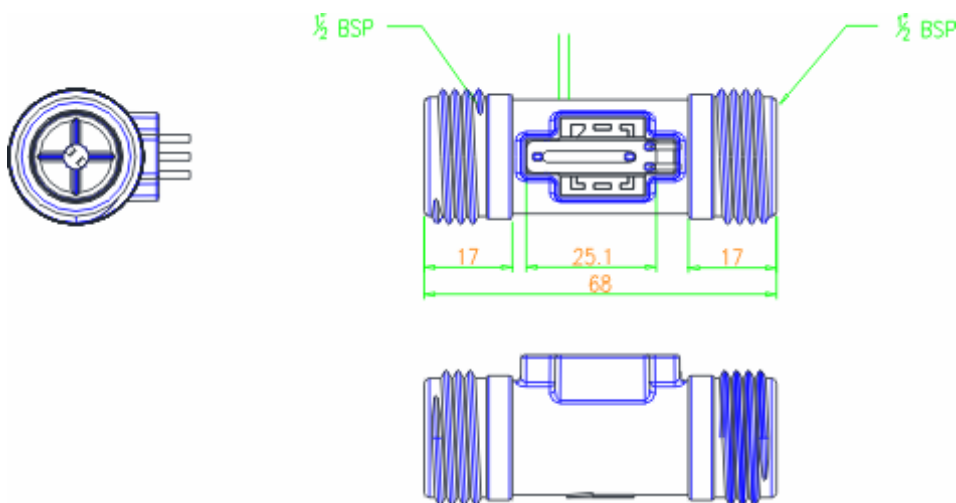
- Switch output, low power consumption
- Small and compact dimension
- Easy connection, 3/4" BSP thread
- High reliability and durability
- Installation flexibility : vertical or horizontal



Application :

- ✓ Water heater, boiler and heat pump

1.0 Mechanism :



2.0 Electrical :

Switching Voltage : Max. 200 Volts

Switching Current : Max. 0.5 Amps

Carry Current : Max. 1.5 Amps

Switching Frequency : Max. 500 Hz

Contact Resistance : Max. 150 mΩ

Life Expectancy : 400,000 liters.

3.0 Application :

Mounting Method : Horizontal to Vertical

Range of Flow Rate : 2.0 – 60.0 L/min.

Calibration(horizontal mounting) : 9.5 ± 2.0 pps @ 2.0 Liter/min.
 32.1 ± 3.0 pps @ 6.0 Liter/min.
 78.1 ± 7.0 pps @ 15.0 Liter/min.
 156.3 ± 15.0 pps @ 30.0 Liter/min.

Calibration(vertical mounting) : 10.4 ± 2.0 pps @ 2.0 Liter/min.
 32.1 ± 3.0 pps @ 6.0 Liter/min.
 78.1 ± 7.0 pps @ 15.0 Liter/min.
 156.3 ± 15.0 pps @ 30.0 Liter/min.

Accuracy : +/- 10%

Maximum working pressure : 1MPa

Fluid : Cold and Warm water

Fluid temperature : 0 ~ 80°C

Environment temperature : -20 ~ 80°C

Body Materials : Nylon with 30% glass fiber

Turbine : plastic magnet

Turbine shaft : ceramic or stainless steel