

# Savant FS-3400AH Diesel Flow Sensor, Digital Output

SAVANT ELECTRONICS INC.

1670-3, Huanzhong road, Sec.1, Taichung 40761, Taiwan

Tel : 886 4 2425 5578 Fax : 886 4 2425 0396

Email : [savantco@ms65.hinet.net](mailto:savantco@ms65.hinet.net) Website : [www.digisavant.com](http://www.digisavant.com)

Features :

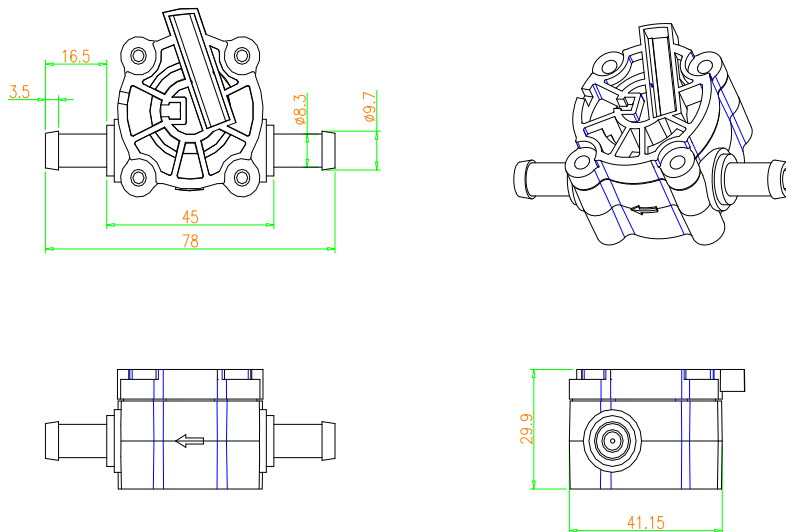
- Diesel and gas application
- 2.0 – 30 liter/hour flow rate
- Accurate and reliable



Application :

- ✓ Marine and automobile vehicle

1.0 Mechanism :



2.0 Electrical :

Supply voltage : 2.4 – 26 V DC

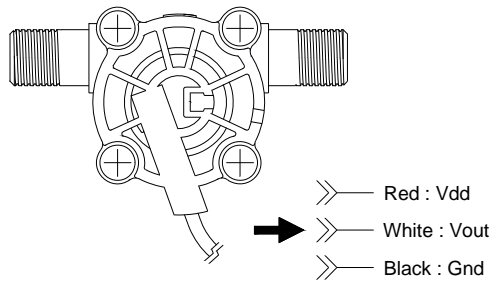
Supply current : typical 2.8 mA, maximum 8.0 mA.

Output mode :open collector

Output rise time : typical 1.0  $\mu$  second. maximum 10  $\mu$  second.

Output falling time : typical 0.3  $\mu$  second. maximum 1.5  $\mu$  second.

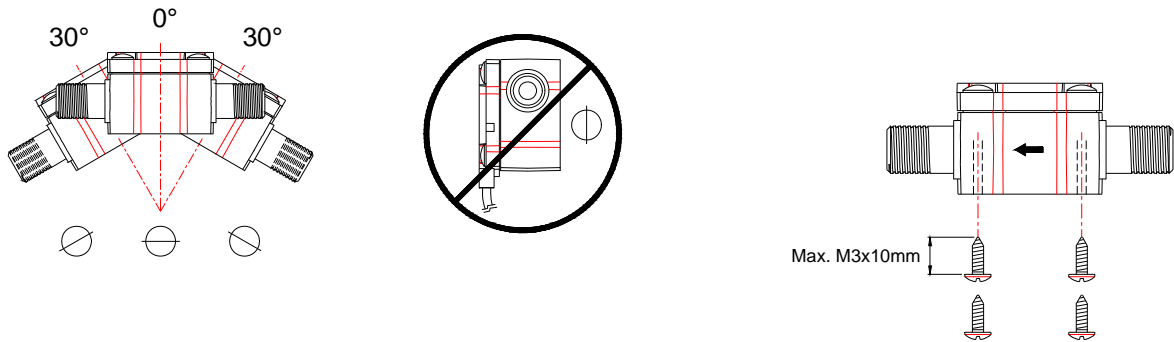
Wire connection :



Connector : JST compatible, Housing : SMR-03V-N, Terminal : SYM-0001T-P0.6

### 3.0 Mounting method

Horizontal mounting, maximum 30 degree lifting.



4.0 Flow Rate : 2.0 – 30.0 liter/hour

5.0 Calibration :

Flow Rate(LPH)	Liter/Pulse
2.0	0.00038
4.0	0.00050
12.0	0.00050
30.0	0.00050

Accuracy : +/- 5%

### 6.0 General :

Connection : 3/8" barb

Temperature : 0 to 60°C

Pressure : Max. 6.0 bar (85 psi)

Materials : Sensor Body : Acetal Copolymer (POM), TICONA M90

Turbine : Acetal Copolymer (POM), TICONA M90

Stick of Turbine : #304 Stainless Steel

O-Ring : NBR