

Savant FS-2200, Flow Sensor

SAVANT ELECTRONICS INC.

1670-3, Huanzhong road, Sec.3, Taichung 40761, Taiwan

Tel : 886 4 2425 5578 Fax : 886 4 2425 0396

Email : savantco@ms65.hinet.net

Website : www.homewaterfilter.com.tw

Features :

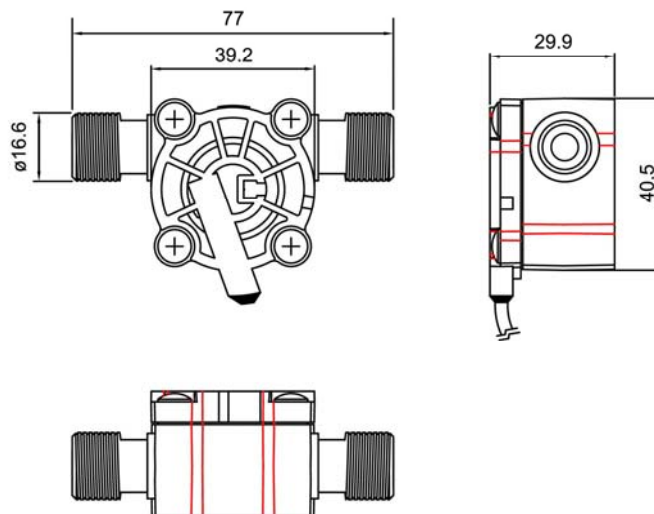
- Accurate, reliable and low cost
- Easy installation
- Switch output, no power consumed



Application :

- ✓ Residential and commercial water treatment system
- ✓ Water dispenser, Water cooler

1.0 Mechanism :



2.0 Electrical :

Switching Voltage : Max. 200 Volts

Switching Current : Max. 0.5 Amps

Carry Current : Max. 1.5 Amps

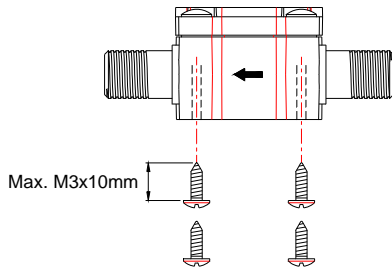
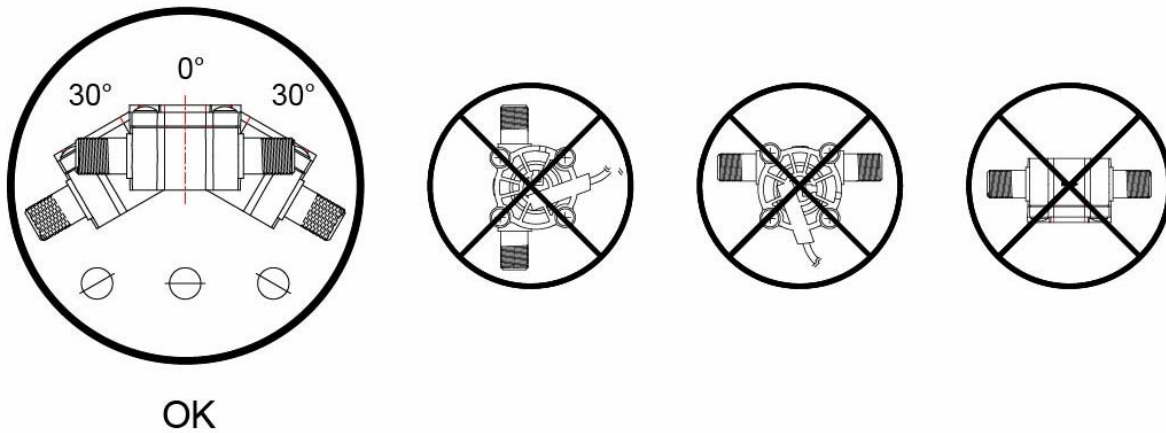
Switching Frequency : Max. 500 Hz

Contact Resistance : Max. 150 mΩ

Life Expectancy : 500,000 liters.

3.0 Mounting method

Horizontal mounting ONLY, maximum 30 degree lifting.



4.0 Flow Rate : 0.8-15 liter/min.

5.0 Calibration : $K = 250$ (250 pulses/liter)

6.0 Accuracy : +/- 5%

Repeatability : 1%

7.0 General :

Connection : 3/8" BSP male

Cable length : 1.5 meter (5 feet)

Temperature : 0 to 80°C

Working pressure : 8.0 bar (112 psi) max.

Burst pressure : 29 bar (400 psi)

Materials : Body : PA66 with 50% glass fiber Grivory GV-5H

Paddle : Acetal Copolymer (POM), TICONA M90

Shaft : #304 Stainless Steel

O-Ring : E.P.D.M.