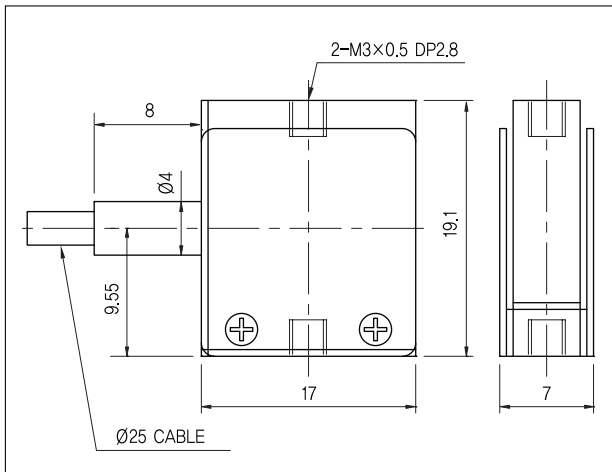
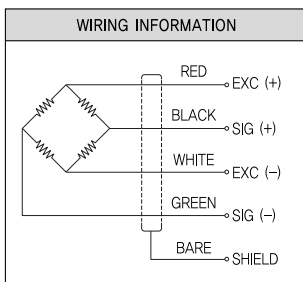


Universal Load Cell

>Model UU74

Compact size,
Accurate Tension/Compression load cell.

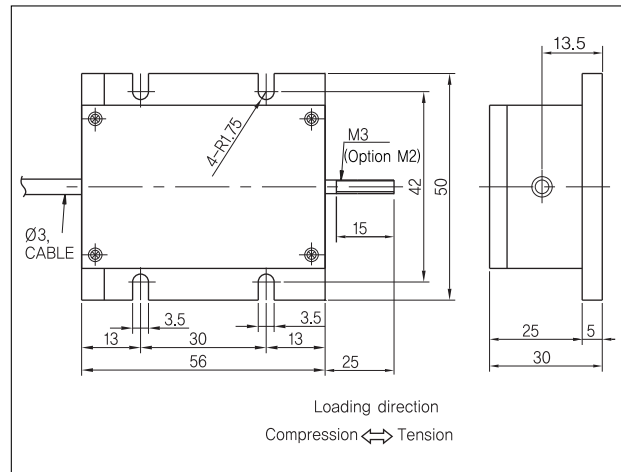
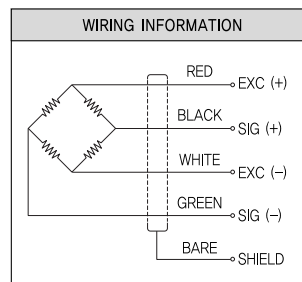
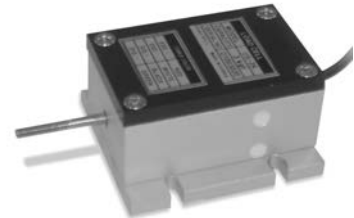


>SPECIFICATIONS

Specifications	Accuracy
Rated capacity(R.C.)	20N, 100N, 200N
Rated output(R.O.)	2mV/V ±25%
Nonlinearity	0.1% R.O.
Hysteresis	0.1% R.O.
Repeatability	0.5% R.O.
Zero balance	±3% R.O.
Temperature effect on rated output	0.1% LOAD/10°C
Temperature effect on zero balance	0.1% R.O./10°C
Temperature range, compensated	-10°C to 60°C
Temperature range, safe	-20°C to 80°C
Terminal resistance, input	350Ω ± 50Ω
Terminal resistance, output	350Ω ± 5Ω
Insulation resistance bridge/case	2000MΩ
Excitation recommended	10V
Safe overload	150% R.C.
Cable length	Ø2.5, 4core shield cable, 1.5m

>Model US

A low capacity, universal, bending beam load cell. The US is excellent when small force measurements are required.
A push-pull type.



>SPECIFICATIONS

Specifications	Accuracy
Rated capacity(R.C.)	5N (500gf) to 19.61N (2kgf)
Rated output(R.O.)	1.0mV/±25%
Nonlinearity	0.2% R.O.
Hysteresis	0.2% R.O.
Repeatability	0.2% R.O.
Zero balance	±0.2mV/V
Temperature effect on rated output	0.5% LOAD/10°C
Temperature effect on zero balance	0.5% R.O./10°C
Temperature range, compensated	0°C to 50°C
Temperature range, safe	-10°C to 60°C
Terminal resistance, input	350Ω ± 40Ω
Terminal resistance, output	350Ω ± 40Ω
Insulation resistance bridge/case	1000MΩ or more (DC 50V)
Excitation recommended	5V
Safe overload	150% R.C.
Cable length	Ø3, 4core shield cable, 3m

★Specifications are subject to change without notice.