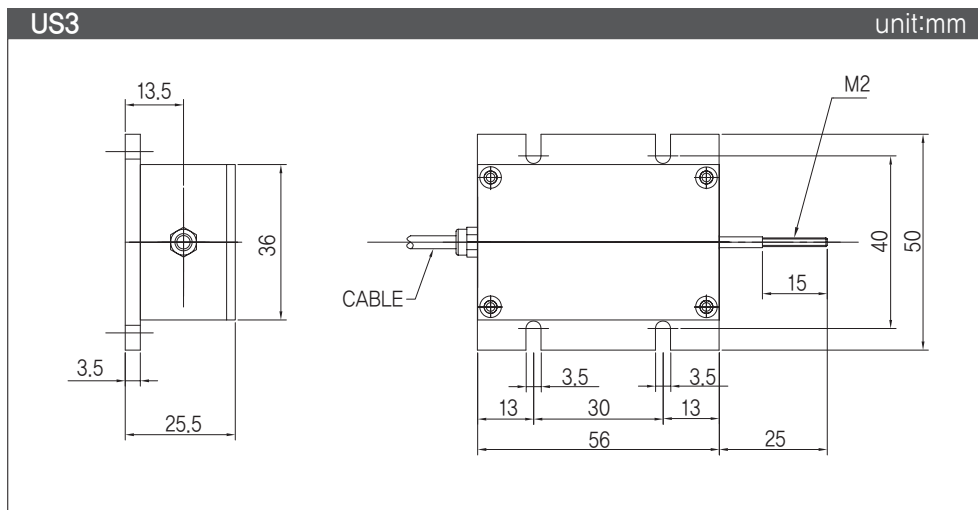


# UNIVERSAL, BENDING BEAM LOAD CELL

## > Model US3

A low capacity, universal, bending beam load cell. The US3 is excellent when small force measurements are required. A push-pull type.



## > SPECIFICATIONS

Specifications	Accuracy
Rated capacity	500gf, 2kgf
Safe overload	150% R.C.
Ultimate overload	150% R.C.
Rated output	1.0 mV/V
Non-linearity	0.2% R.O.
Hysteresis	0.2% R.O.
Repeatability	0.2% R.O.
Excitation, recommended	5V
Zero balance	±0.2mV/V
Input resistance	350 ohm ± 40 ohm
Output resistance	350 ohm ± 40 ohm
Insulation resistance	1000M-ohm or more (DC 50V)
Temperature range, compensated	0°C to 50°C
Temperature range, safe	-10°C to 60°C
Temperature effect, on zero balance	0.5%, R.O./10°C
Temperature effect, on output	0.5%, LOAD/10°C
Cable	Ø3, 4core shield cable, 2m

★Specifications are subject to change without notice.