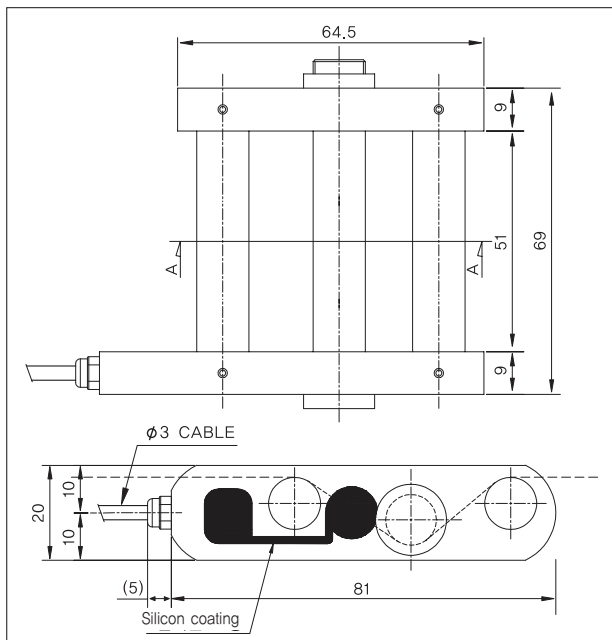
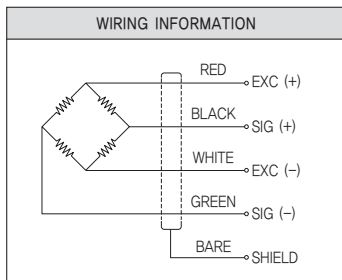
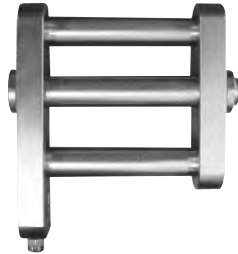


Seat Belt Load Cell

>Model CS245

Load cell dedicated for seat belt measurement.



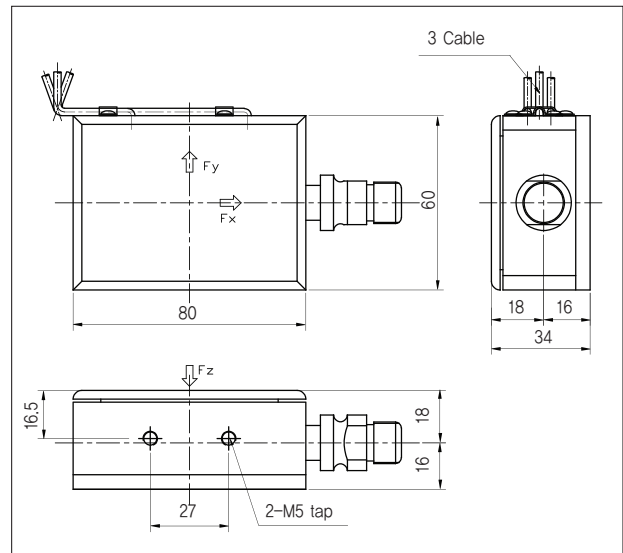
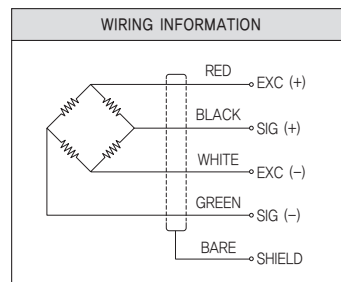
>SPECIFICATIONS

Specifications	Accuracy
Rated capacity(R.C.)	2tf
Rated output(R.O.)	2.5mV/V±10%
Nonlinearity	2% R.O.
Hysteresis	2% R.O.
Repeatability	2% R.O.
Zero balance	±5% R.O.
Temperature range, compensated	0°C ~ 50°C
Temperature effect, on rated output	±0.3%LOAD/10°C
Temperature effect, on zero balance	±0.3%R.O./10°C
Terminal resistance input	350Ω ±10%
Terminal resistance output	350Ω ±5%
Insulation resistance bridge/case	2000MΩ
Excitation recommended	10V
Safe overload	120% R.C.
Cable length	Ø3mm x 4C x 3m

Multi Component Load Cell

>Model MC86

3 axis load cell.
Bicycle pedal load cell



>SPECIFICATIONS

Specifications	Accuracy
Rated capacity(R.C)	Fx : 1000N, Fy : 1000N, Fz : 2000N
Rated output(R.O)	0.6 ~ 1mV/V
Nonlinearity	0.5% of R.O.
Hysteresis	0.5% of R.O.
Repeatability	0.5% of R.O.
Zero balance	±1% of R.O.
Terminal resistance input	350±3.5Ω
Terminal resistance output	350±5Ω
Temperature range, compensated	-10~40°C
Temperature range, safe	-20~70°C
Mutual Interference	±4% of R.O.
Insulation resistance bridge	2000MΩ
Excitation recommended	10V
Safe overload	120% R.C.
Cable length	Ø3mm 4core cable 3m

★Specifications are subject to change without notice.