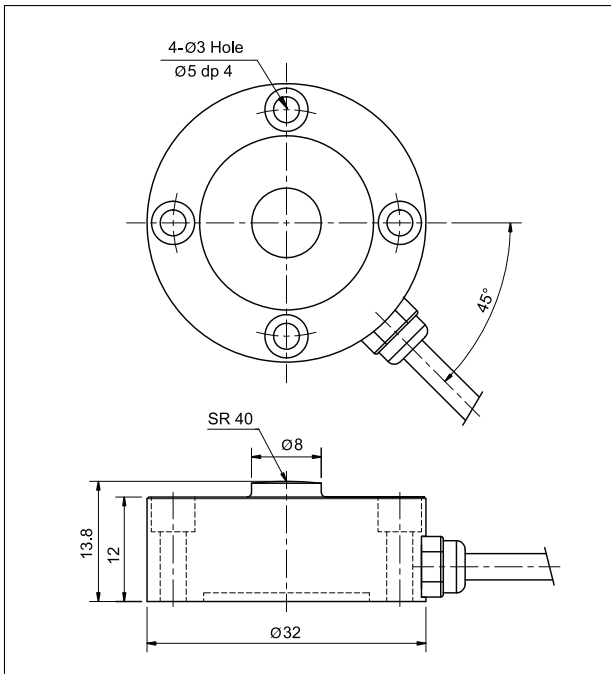
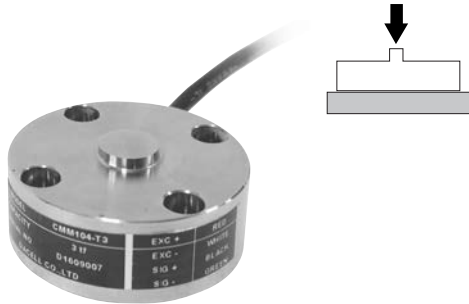


Miniature Compression Load Cell

Compression Load Cell

>Model CMM104

Compression Load Cell,
These load cells are extremely small and lightweight.



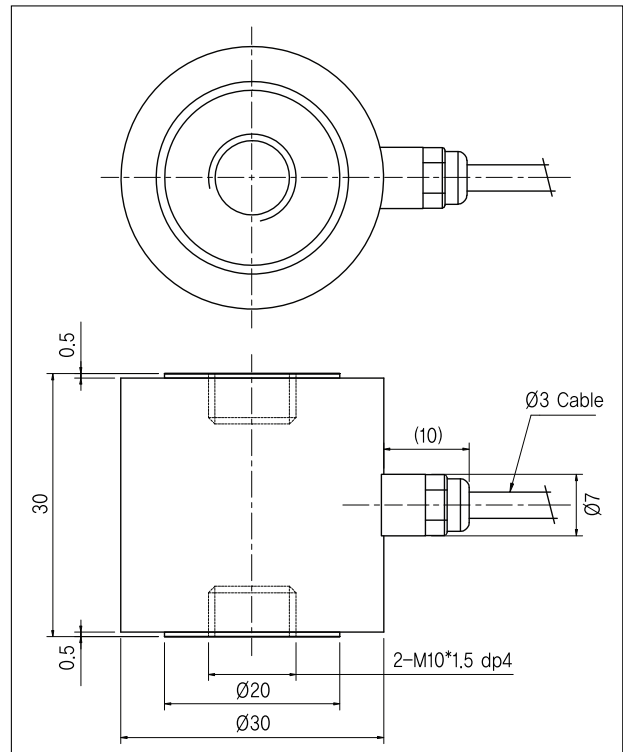
>SPECIFICATIONS

Specifications	Accuracy
Rated capacity(R.C.)	3tf
Rated output(R.O.)	0.7 ~ 1.2mV/V
Nonlinearity	1% of R.O.
Hysteresis	1% of R.O.
Repeatability	1% of R.O.
Zero balance	±5% of R.O.
Temperature effect on rated output	0.05% of LOAD/10°C
Temperature effect on zero balance	0.05% of R.O./10°C
Temperature range, compensated	-10 ~ 60°C
Temperature range, safe	-20 ~ 70°C
Terminal resistance, input	350±35Ω
Terminal resistance, output	350±10Ω
Insulation resistance bridge to ground	2000MΩ
Excitation recommended	5V
Safe overload	150% R.C.
Cable length	Ø3mm 4core, 3m

★Specifications are subject to change without notice.

>Model CS300

CS300 is lightweight miniature compression force sensor and is particularly



>SPECIFICATIONS

Specifications	Accuracy
Rated capacity(R.C.)	1 tf
Rated output(R.O.)	1.0mV/V±1%
Nonlinearity	1% R.O.
Hysteresis	1% R.O.
Repeatability	0.5% R.O.
Zero balance	±1% R.O.
Temperature effect on rated output	±0.05% of LOAD/10°C
Temperature effect on zero balance	±0.05% of R.O./10°C
Temperature range, compensated	-10°C ~ 60°C
Temperature range, safe	-20°C ~ 80°C
Terminal resistance, input	350±5Ω
Terminal resistance, output	350±5Ω
Insulation resistance bridge to ground	2000MΩ
Excitation recommended	10V
Safe overload	120% R.C.
Cable length	Ø3mm 4core, 3m