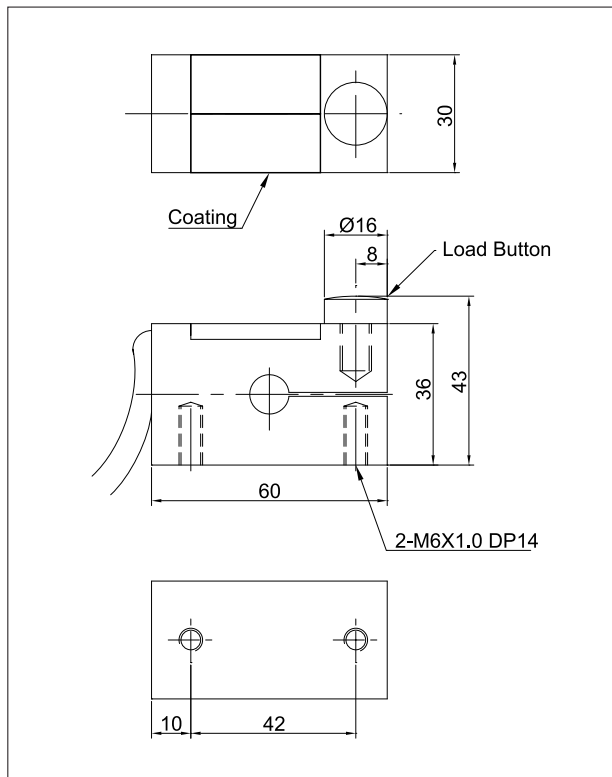


# COMPRESSION LOAD CELLS

# PEDAL EFFORT LOAD CELL

## > Model CS213

Small size.  
Force control application.  
Elevator weighing.

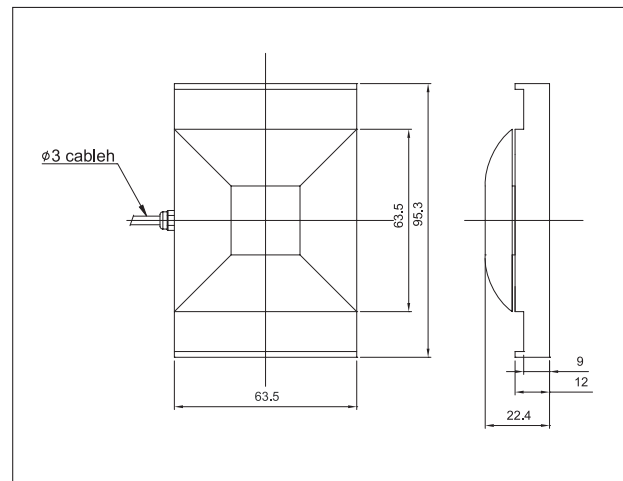
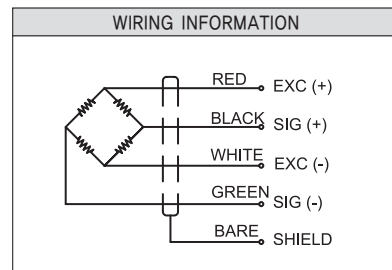
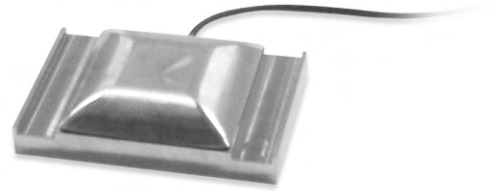


## > SPECIFICATIONS

| Specifications                         | Accuracy        |
|--|-----------------|
| RATED CAPACITY (R.C.)                  | 1.5ton          |
| RATED OUTPUT (R.O.)                    | 1.5mV/V±1%      |
| NON-LINEARITY                          | 2% R.O.         |
| HYSTERESIS                             | 2% R.O.         |
| REPEATABILITY                          | 0.5% R.O.       |
| ZERO BALANCE                           | ±1% R.O.        |
| RESISTANCE, INPUT                      | 420 Ohm±5       |
| RESISTANCE, OUTPUT                     | 350 Ohm±5       |
| TEMP. EFFECT ON RATED OUTPUT           | ±0.05%LOAD/10°C |
| TEMP. EFFECT ON ZERO BALANCE           | ±0.05%R.O./10°C |
| TEMP. RANGE COMPENSATED                | -10°C ~ 40°C    |
| SAFE TEMPERATURE RANGE                 | -20°C ~ 70°C    |
| INSULATION RESISTANCE BRIDGE TO GROUND | 2000MΩ          |
| CABLE LENGTH                           | Ø5mm x 4C x 3m  |
| EXC. RECOMMENDED                       | 10V             |
| SAFE OVERLOAD                          | 150% R.C.       |

## > Model CS187

Pedal effort load cell  
Small and light weight



## > SPECIFICATIONS

| Specifications                         | Accuracy         |
|--|------------------|
| RATED CAPACITY (R.C.)                  | 120kgf           |
| RATED OUTPUT (R.O.)                    | 1.2mV/V±1%       |
| NON-LINEARITY                          | 0.15% R.O.       |
| HYSTERESIS                             | 0.15% R.O.       |
| REPEATABILITY                          | 0.15% R.O.       |
| ZERO BALANCE                           | ±1% R.O.         |
| TEMP. RANGE COMPENSATED                | -10°C ~ 50°C     |
| TEMP. EFFECT ON RATED OUTPUT           | ±0.02%LOAD/10°C  |
| TEMP. EFFECT ON ZERO BALANCE           | ±0.02%R.O./10°C  |
| RESISTANCE, INPUT                      | 700 Ohm±10       |
| RESISTANCE, OUTPUT                     | 700 Ohm±5        |
| INSULATION RESISTANCE BRIDGE TO GROUND | 2000MΩ           |
| ELECTRICAL CONNECTION                  | Ø3mm x 4C x 40cm |
| EXC. RECOMMENDED                       | 10V              |
| SAFE OVERLOAD                          | 150% R.C.        |

\*Specifications are subject to change without notice.