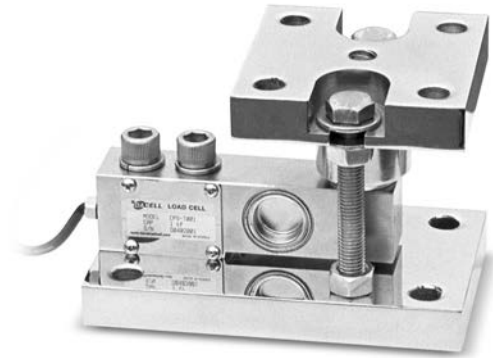
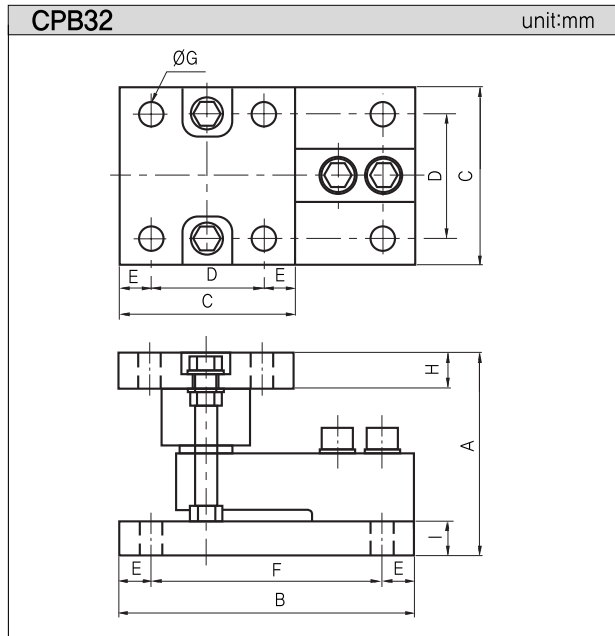


Weighing Module

>Model CPB32, CPB42, CPB52

Hopper, Bin, Tank weigh module Stainless Steel or Zinc Plated Steel Mounting Kit.



ORDERING INFORMATION

CPB32 - 2T
Model CAPACITY(300K, 500K, 1T, 2T, 3T, 5T)

CPB32 : CP loadcell + Zinc Plateel Steel Mtg Kit

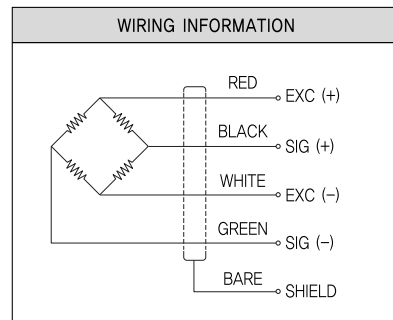
CPB42 : CPS loadcells + Zinc Plateel Steel Mtg Kit

CPB52 : CPS loadcells + Stainless Steel Mtg Kit

>SPECIFICATIONS

Specifications	Accuracy
Rated capacity(R.C)	300kg, 500kg, 1t, 2t, 3t, 5t
Rated output(R.O)	2mV/V \pm 0.1%
Nonlinearity	0.02% of R.O.
Hysteresis	0.02% of R.O.
Repeatability	0.01% of R.O.
Creep	0.02% of R.O.
Zero balance	\pm 1% of R.O.
Excitation recommended	10V
Terminal resistance input, output	350 Ω \pm 1%
Insulation resistance bridge	2000M Ω
Temperature range, compensated	-10 \sim 70 $^{\circ}$ C
Temperature range, safe	-20 \sim 80 $^{\circ}$ C
Temperature effect on rated output	0.02% of LOAD/10 $^{\circ}$ C
Temperature effect on zero balance	0.05% of R.O./10 $^{\circ}$ C
Safe overload	150% R.C.
Cable length	\varnothing 5, 4core, 3m

WIRING INFORMATION



>DIMENSIONS TABLE

unit:mm

Capacity	A	B	C	D	E	F	G	H	I	Weight(kg)
300kg (2,942kN)	108	168	106	70	18	132	11.5	15	20	8
500kg \sim 2t (4,903kN \sim 19,61kN)	116	168	106	70	18	132	13.5	21	20	9
3t \sim 5t (29,42kN \sim 49,03kN)	145	225	150	110	20	185	18	25	30	16

★Specifications are subject to change without notice.