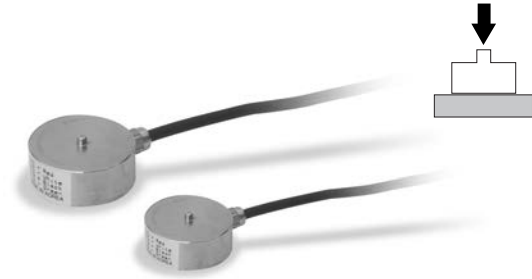


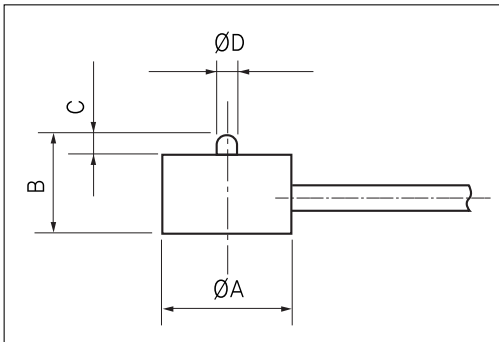
Miniature Compression Load Cells

>Model CMM, CMM2

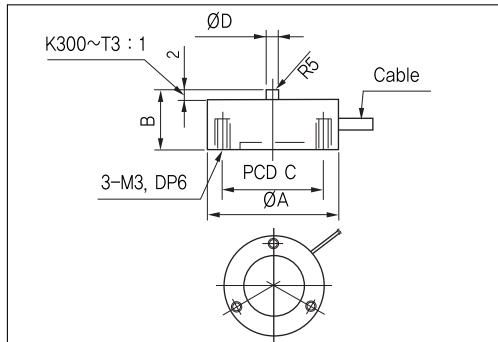
Optimum suitability for weight distribution analysis.
 Super compact and lightweight.
 Competitive price. Stainless steel construction.



CMM

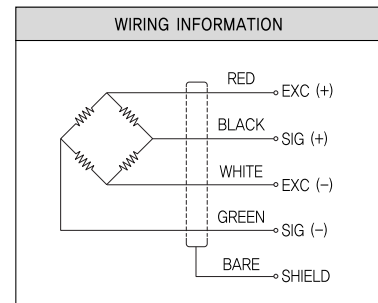


CMM2



>SPECIFICATIONS

Specifications	Accuracy
Rated capacity(R.C.)	1kgf, 2kgf, 5kgf, 10kgf, 20kgf, 50kgf, 100kgf, 200kgf, 500kgf, 1tf, 2tf, 3tf
Rated output(R.O.)	0.7mV/V to 1.2mV/V
Nonlinearity	≤1.0% R.O.(1tf~3tf : ≤2% R.O.)
Hysteresis	1.0% R.O.
Repeatability	1.0% R.O.
Zero Balance	±5% of R.O.
Terminal resistance, input	350Ω ±10%
Terminal resistance, output	350Ω ±5%
Temperature range, allowable	-20 to +70℃
Excitation recommended	5V DC
Overload allowable	150% R.C.
Cable length	Ø3 4core cable, 3m



>DIMENSIONS TABLE (CMM)

unit:mm

Capacity	A	B	C	ØD	Weight(kg)	
1kgf (9.807N)	16	12	2	2.5	0.2	
2kgf (19.61N)	16	12	2	2.5		
5kgf (49.03N)	16	12	2	2.5		
10kgf (98.07N)	20	11.5	2	2.5		
20kgf (196.1N)	20	11.5	2	2.5		
50kgf (490.3N)	20	11.5	2	2.5		
100kgf (980.7N)	20	11.5	2	2.5		
200kgf (1.961kN)	20	11.5	2	2.5		
300kgf (2.942kN)	20	14	0.7	4		0.3
500kgf (4.903kN)	20	14	0.7	4		
1tf (9.807kN)	20	14	0.7	4		
2tf (19.61kN)	20	14	0.7	4		
3tf (29.42kN)	20	14	0.7	4		

>DIMENSIONS TABLE (CMM2)

unit:mm

Capacity	ØA	B	PCD C	ØD	Weight(kg)	
1kgf (9.807N)	21	12	17	2.5	0.3	
2kgf (19.61N)	21	12	17	2.5		
5kgf (49.03N)	21	12	17	2.5		
10kgf (98.07N)	26	12	21	2.5		
20kgf (196.1N)	26	12	21	2.5		
50kgf (490.3N)	26	12	21	2.5		
100kgf (980.7N)	26	12	21	2.5		
200kgf (1.961kN)	26	12	21	2.5		
300kgf (2.942kN)	26	14	21	4		0.3
500kgf (4.903kN)	26	14	21	4		
1tf (9.807kN)	26	14	21	4		
2tf (19.61kN)	26	14	21	4		
3tf (29.42kN)	26	14	21	8		

★Specifications are subject to change without notice.