

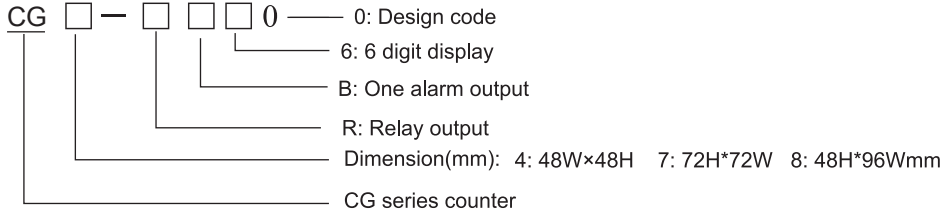
CG Series Digital Counter User's Manual



Features:

- Dual line 6 digit bright LED display
- Several optional panel size:48x48, 48x96, 72x72
- Single input counting, single relay output
- Manual reset, automatic reset, key lock and power failure memory function
- Set coefficient freely , both NPN and PNP input signal
- Widely applied to timber processing , food machinery , packing machinery , steel processing industries , etc.

I . Model Indication

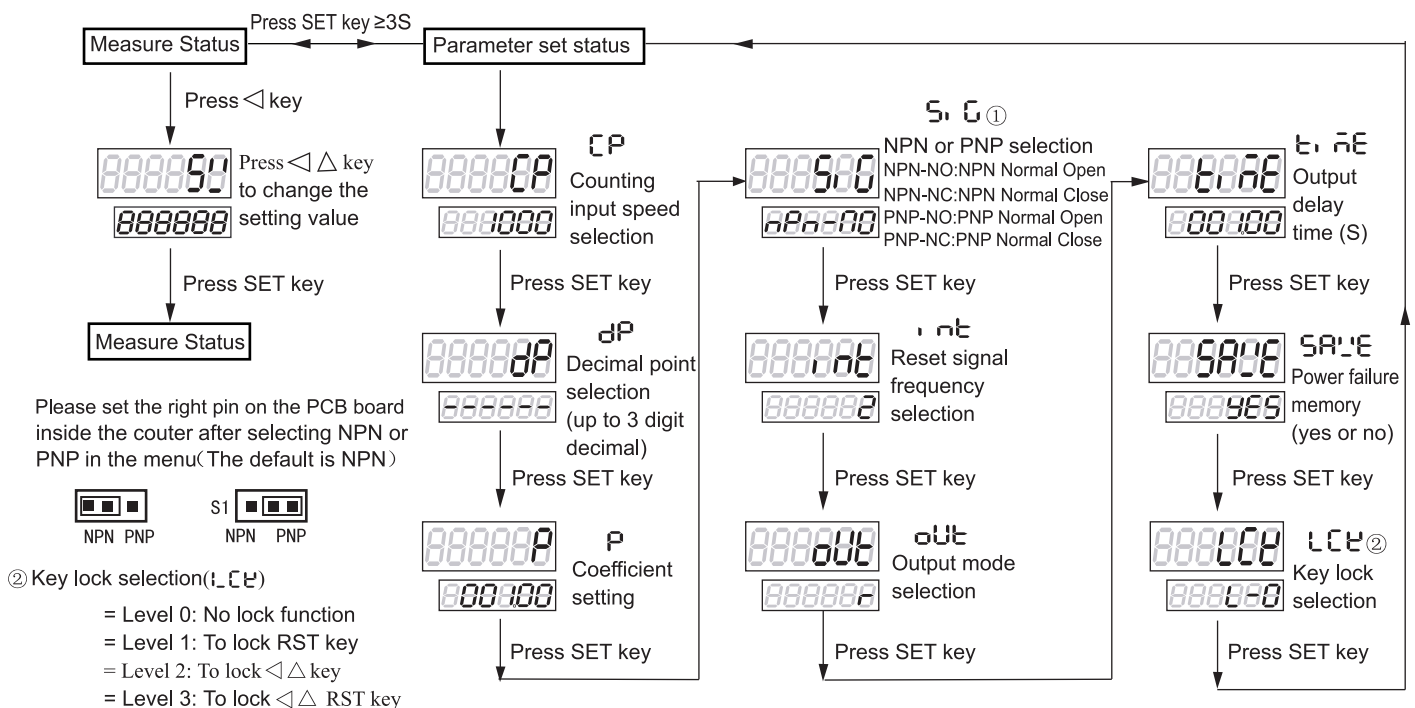


Model	Dimension(mm)	Counting Digit	Alarm Output	Power Supply
CG4-RB60	48W×48H×100L	6	One upper limit alarm	100-240V AC/DC
CG7-RB60	72W×72H×100L	6	One upper limit alarm	110 / 220VAC
CG8-RB60	96W×48H×100L	6	One upper limit alarm	110 / 220VAC

II . Technical Parameter

Power Supply	110V/ 220VAC±10% 50Hz/60Hz
Total Power Consumption	≤ 4W
Relay Capacity	250VAC/3A
Output Power	DC18V±5V(≤25mA)
Insulation Resistance	≥ 20MΩ
Insulation Strength	1.5KV/1M
Counting Input Speed	≤ 1/30/500/1000Hz
Counting Range	0.001~ 999999
Delay Time	0.01~ 600.00s
Coefficient Setting Range	0.001~ 9999.99
Reset Signal Frequency Selection	2, 10, 100, 500Hz selectable

III . Operation Menu

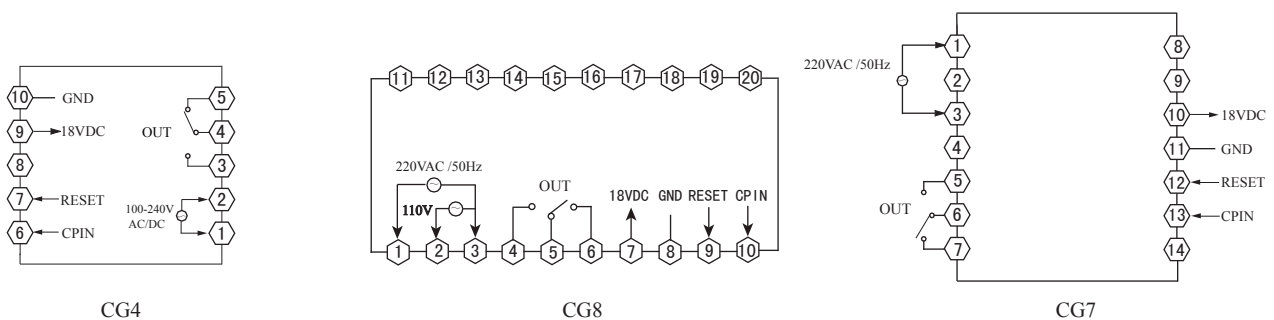
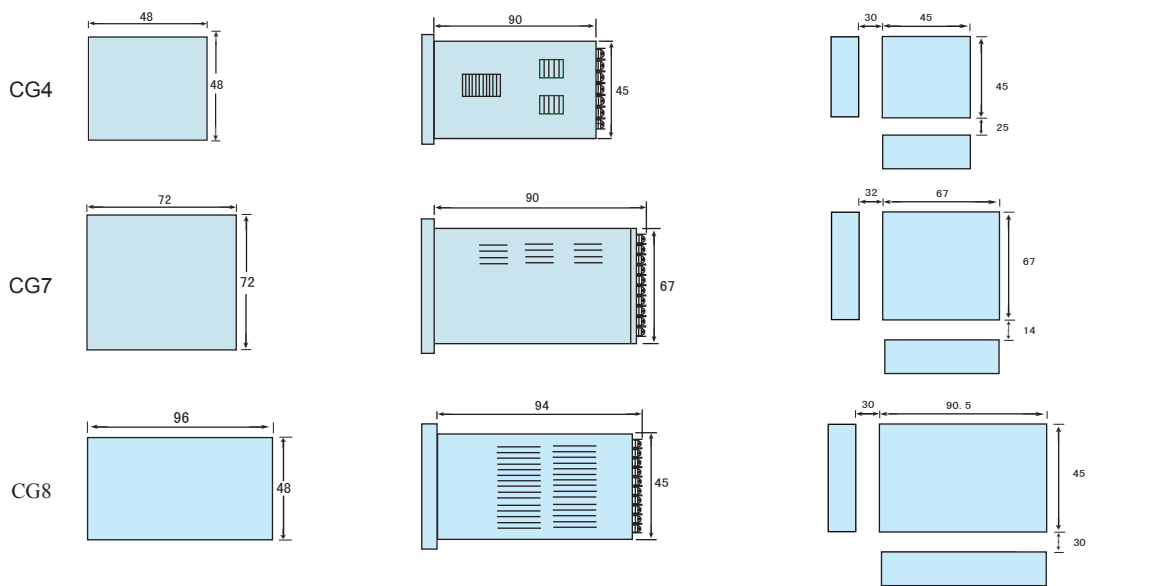


IV . Counter Output Mode Diagram

There are 4 types of output modes for option , N, F, R, C.

	N	F	R	C
Output mode setting				
Action after Counting up	Output and the counting value will remain till reset signal.	Counting value goes on, output will remain till reset signal.	When counting value reaches setting value, the display value and output will remain till the setting delay time, then reset to next counting automatically.	The counter will reset when the counting value reaches set value . It keep output to preset time till relay reset automatically to start next counting action.

V. Dimension & Connection



Note: Please subject to the connection drawing on the counter if any changes.

