

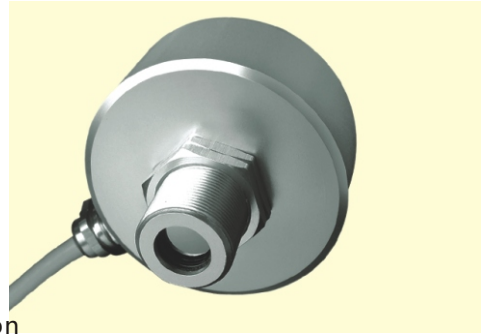
S11-3

High performance low cost Infrared sensor

- Measuring temperature range: 0-500°C
- Emissivity adjustable
- 4-20mA output
- With a signal short-circuit and power reverse protection
- Instrument optional

The main application areas

Tobacco, heating, food, rubber, paper, plastics, packaging, paint, electrical, textiles, composite materials, equipment



General specifications

Environment rating	IP65 (NEMA-4)
Ambient temperature	0~60 °C
Storage temperature	-20~80 °C
Relative humidity	10~95 %

Electrical specifications

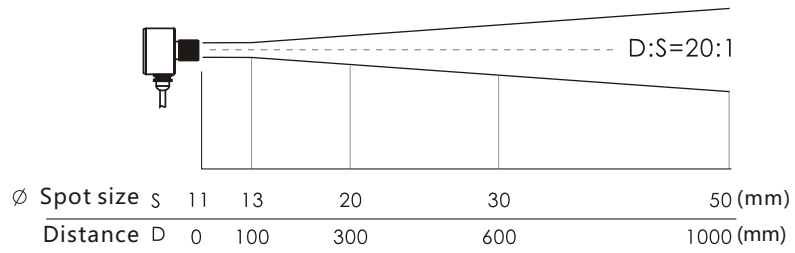
Output/analog	4~20mA
Output impedances	600Ω
Cable length	1.8 m , 3 , 8 m, 15 m
Power supply	24 VDC

Measurement specification

Temperature range	0~500°C
Spectral range	8~14μm
Distance resolution	20:1
System accuracy	±1% ±1.5°C (23 °C ±5°C)
Repeatability	±0.5% 或 ±1°C (取大值) (环温: 23 °C ±5°C)
Temperature resolution	0.1 °C
Response time	500 ms (95 %)
Emissivity	0.95

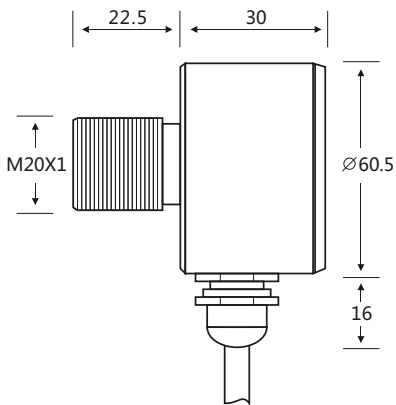
S11-3

Optical specifications



D:S=20:1

Size



Diagram

Red = 24VDC +
Black = 24VDC - and current output +
Bare = Shield

Optional

